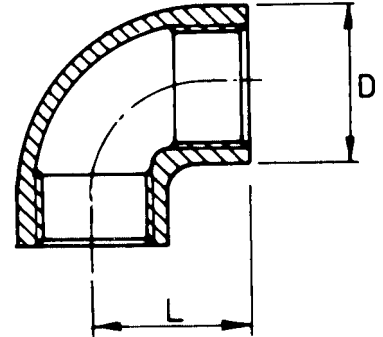


threaded fittings

elbow 90 F/F



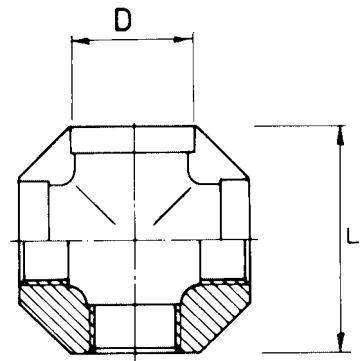
Dimension inch	NW	L mm	D mm
1/8"	6	17,0	16,5
1/4"	8	19,0	20,0
3/8"	10	22,5	23,5
1/2"	15	26,0	27,0
3/4"	20	32,0	33,0
1"	25	36,0	40,0
1 1/4"	32	42,0	49,0
1 1/2"	40	46,5	55,0
2"	50	55,5	67,0
2 1/2"	65	68,0	81,0
3"	80	77,0	98,0
4"	100	93,0	124,0



CROSS



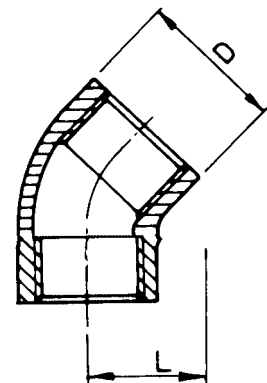
Dimension inch	NW	L mm	D mm
1/8"	6	34,0	15,5
1/4"	8	38,0	18,0
3/8"	10	46,0	23,5
1/2"	15	54,0	27,0
3/4"	20	64,0	33,0
1"	25	71,5	40,0
1 1/4"	32	85,0	49,5
1 1/2"	40	96,0	55,5
2"	50	112,0	68,0
2 1/2"	65	138,0	90,0
3"	80	154,0	108,5
4"	100	187,0	124,0



elbow 45 F/F



Dimension inch	NW	L mm	D mm
1/8"	6	12,0	16,5
1/4"	8	14,0	20,0
3/8"	10	16,0	23,5
1/2"	15	20,0	28,0
3/4"	20	27,5	36,0
1"	25	32,5	45,0
1 1/4"	32	40,0	54,0
1 1/2"	40	46,5	59,0
2"	50	54,0	57,5
2 1/2"	65	61,5	90,0
3"	80	71,0	114,0
4"	100	88,5	135,0



threaded fittings

Winkel 90 ° i/a · street elbow 90



Dimension inch	NW	L mm	D mm
1/8"	6	18,0	16,0
1/4"	8	20,0	22,0
3/8"	10	22,0	22,7
1/2"	15	29,0	28,0
3/4"	20	31,0	34,0
1"	25	36,0	42,0
1 1/4"	32	43,9	51,3
1 1/2"	40	50,0	57,4
2"	50	60,3	70,0
2 1/2"	65	69,1	86,3
3"	80	77,6	101,0
4"	100	95,1	127,0

bend 90 M/M



Dimension inch	NW	L mm	D mm
1/8"	6	50,0	10,2
1/4"	8	60,0	13,5
3/8"	10	70,0	17,2
1/2"	15	80,0	21,3
3/4"	20	100,0	26,9
1"	25	120,0	33,7
1 1/4"	32	140,0	42,4
1 1/2"	40	160,0	48,3
2"	50	190,0	60,3
2 1/2"	65	240,0	76,1
3"	80	290,0	88,9

equal tee



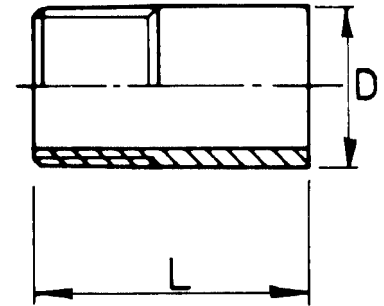
Dimension inch	NW	L mm	D mm
1/8"	6	34,0	14,0
1/4"	8	40,0	19,0
3/8"	10	47,0	23,0
1/2"	15	57,0	28,0
3/4"	20	62,5	32,0
1"	25	72,0	40,0
1 1/4"	32	89,0	52,0
1 1/2"	40	94,0	55,0
2"	50	111,0	67,0
2 1/2"	65	138,0	90,0
3"	80	155,0	96,0
4"	100	194,0	130,0

threaded fittings

welding nipple



Dimension inch	NW	L mm	D mm
1/8"	6	30,0	10,2
1/4"	8	30,0	13,5
3/8"	10	30,0	17,2
1/2"	15	35,0	21,3
3/4"	20	40,0	26,9
1"	25	40,0	33,7
1 1/4"	32	50,0	42,4
1 1/2"	40	50,0	48,3
2"	50	50,0	60,3
2 1/2"	65	60,0	76,1
3"	80	70,0	88,9
4"	100	80,0	114,3

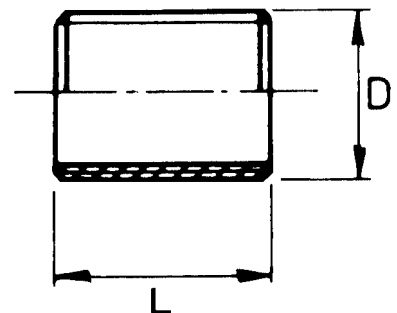


Auch Sonderlängen sind vorrätig!

parallel nipple



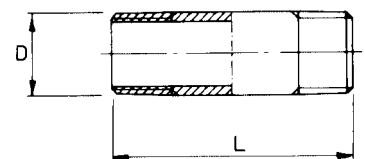
Dimension inch	NW	L mm	D mm
1/8"	6	16,0	10,2
1/4"	8	18,0	13,5
3/8"	10	22,0	17,2
1/2"	15	25,0	21,3
3/4"	20	30,0	26,9
1"	25	35,0	33,7
1 1/4"	32	38,0	42,4
1 1/2"	40	38,0	48,3
2"	50	45,0	60,3
2 1/2"	65	55,0	76,1
3"	80	60,0	88,9
4"	100	70,0	114,3



barrel nipple



Dimension inch	NW	L mm	D mm
1/8"	6	40,0	10,2
1/4"	8	40,0	13,5
3/8"	10	40,0	17,2
1/2"	15	60,0	21,3
3/4"	20	60,0	26,9
1"	25	60,0	33,7
1 1/4"	32	80,0	42,4
1 1/2"	40	80,0	48,3
2"	50	100,0	60,3
2 1/2"	65	100,0	76,1
3"	80	120,0	88,9
4"	100	120,0	114,3



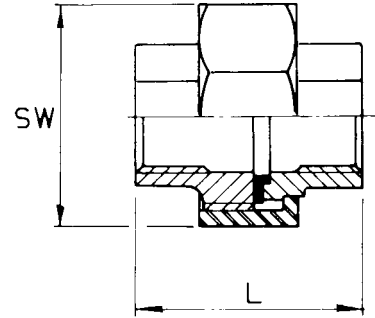
Auch Sonderlängen sind vorrätig!

threaded fittings

union flat F/F



Dimension inch	NW	L mm	SW mm
1/8"	6	30,0	29,0
1/4"	8	30,0	29,0
3/8"	10	35,0	34,0
1/2"	15	40,0	39,0
3/4"	20	43,0	47,0
1"	25	48,0	58,0
1 1/4"	32	52,0	67,0
1 1/2"	40	58,0	76,0
2"	50	62,0	90,0
2 1/2"	65	71,0	108,0
3"	80	78,0	122,0
4"	100	85,0	152,0

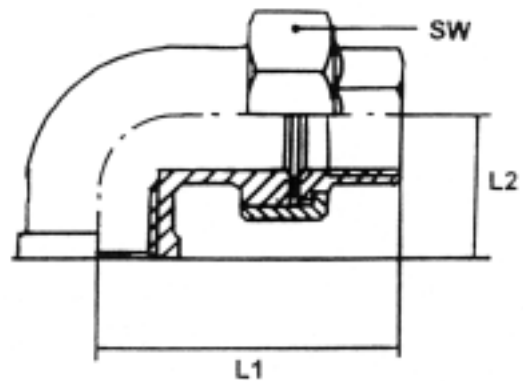


F/F thread -flat

elbow union



Dimension inch	NW	L1 mm	L2 mm	SW mm
1/4"	8	40,7	18,0	29,0
3/8"	10	44,5	21,6	34,0
1/2"	15	50,0	26,0	38,5
3/4"	20	56,5	32,0	47,0
1"	25	65,0	40,0	58,0
1 1/4"	32	75,0	49,0	66,0
1 1/2"	40	81,5	55,8	75,0
2"	50	95,0	67,5	88,5

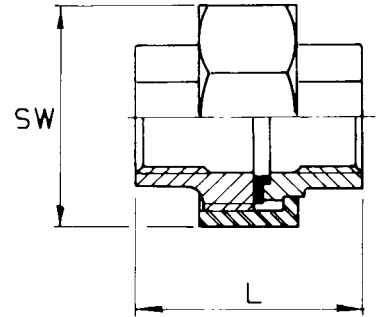


threaded fittings

union conical F/F



Dimension inch	NW	L mm	SW mm
1/8"	6	30,0	29,0
1/4"	8	30,0	29,0
3/8"	10	35,0	34,0
1/2"	15	40,0	39,0
3/4"	20	43,0	47,0
1"	25	48,0	58,0
1 1/4"	32	52,0	67,0
1 1/2"	40	58,0	76,0
2"	50	62,0	90,0
2 1/2"	65	71,0	108,0
3"	80	78,0	122,0
4"	100	85,0	152,0

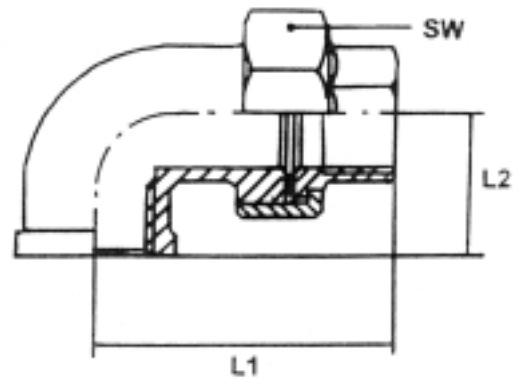


F/F thread - conical

elbow union



Dimension inch	NW	L1 mm	L2 mm	SW mm
1/4"	8	40,7	18,0	29,0
3/8"	10	44,5	21,6	34,0
1/2"	15	50,0	26,0	38,5
3/4"	20	56,5	32,0	47,0
1"	25	65,0	40,0	58,0
1 1/4"	32	75,0	49,0	66,0
1 1/2"	40	81,5	55,8	75,0
2"	50	95,0	67,5	88,5

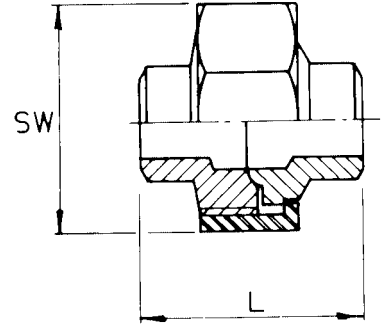


threaded fittings

union conical BW/BW



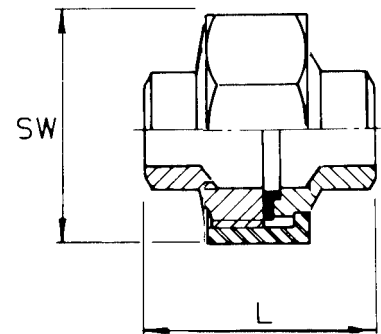
Dimension inch	NW	L mm	SW mm
1/8"	6	43,0	34,0
1/4"	8	43,0	34,0
3/8"	10	43,0	34,0
1/2"	15	46,0	38,0
3/4"	20	49,0	47,0
1"	25	55,0	54,0
1 1/4"	32	60,0	63,0
1 1/2"	40	64,0	70,0
2"	50	69,0	86,0
2 1/2"	65	89,0	108,0
3"	80	91,0	126,0
4"	100	107,0	144,0



union flat BW/BW



Dimension inch	NW	L mm	SW mm
1/8"	6	43,0	34,0
1/4"	8	43,0	34,0
3/8"	10	43,0	34,0
1/2"	15	46,0	38,0
3/4"	20	49,0	47,0
1"	25	55,0	54,0
1 1/4"	32	60,0	63,0
1 1/2"	40	64,0	70,0
2"	50	69,0	86,0
2 1/2"	65	89,0	108,0
3"	80	91,0	126,0
4"	100	107,0	144,0

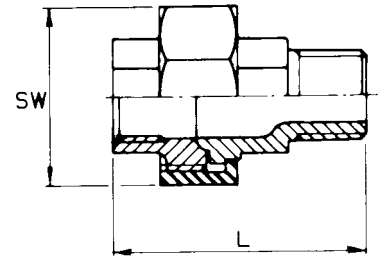


threaded fittings

union conical M/F



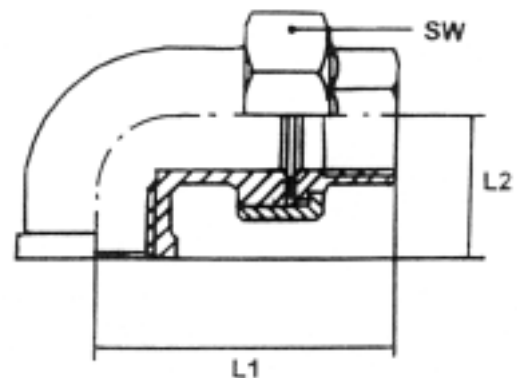
Dimension inch	NW	L mm	SW mm
1/8"	6	42,0	29,0
1/4"	8	42,0	29,0
3/8"	10	51,0	34,0
1/2"	15	56,0	39,0
3/4"	20	61,0	47,0
1"	25	68,0	58,0
1 1/4"	32	76,0	67,0
1 1/2"	40	81,0	76,0
2"	50	90,0	90,0
2 1/2"	65	108,0	108,0
3"	80	114,0	122,0
4"	100	129,0	152,0



elbow union M/F thread -conical



Dimension inch	NW	L1 mm	L2 mm	SW mm
1/4"	8	52,8	18,0	29,0
3/8"	10	60,0	21,6	34,0
1/2"	15	66,0	26,0	38,5
3/4"	20	73,0	32,0	47,0
1"	25	84,0	40,0	58,0
1 1/4"	32	95,0	49,0	66,0
1 1/2"	40	104,0	55,8	75,0
2"	50	122,0	67,5	88,5

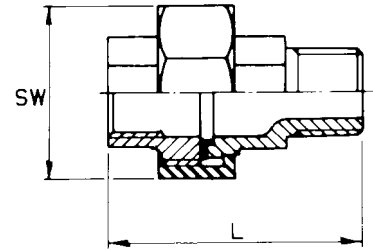


threaded fittings

union flat M/F



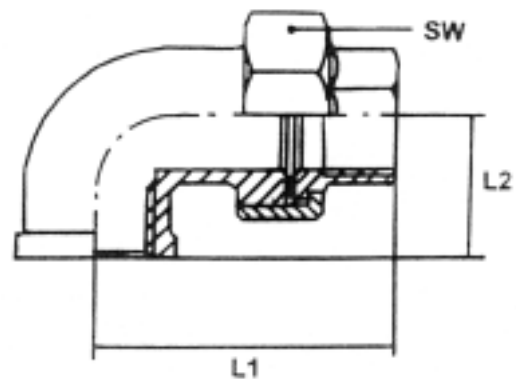
Dimension inch	NW	L mm	SW mm
1/8"	6	42,0	29,0
1/4"	8	42,0	29,0
3/8"	10	51,0	34,0
1/2"	15	56,0	39,0
3/4"	20	61,0	47,0
1"	25	68,0	58,0
1 1/4"	32	76,0	67,0
1 1/2"	40	81,0	76,0
2"	50	90,0	90,0
2 1/2"	65	108,0	108,0
3"	80	114,0	122,0
4"	100	129,0	152,0



elbow union M/F thread -flat



Dimension inch	NW	L1 mm	L2 mm	SW mm
1/4"	8	52,8	18,0	29,0
3/8"	10	60,0	21,6	34,0
1/2"	15	66,0	26,0	38,5
3/4"	20	73,0	32,0	47,0
1"	25	84,0	40,0	58,0
1 1/4"	32	95,0	49,0	66,0
1 1/2"	40	104,0	55,8	75,0
2"	50	122,0	67,5	88,5

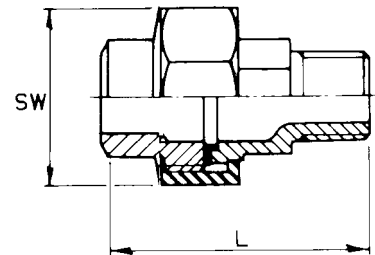


threaded fittings

union flat BW/M



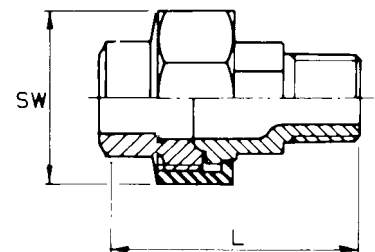
Dimension inch	NW	L mm	SW mm
1/8"	6	48,0	29,0
1/4"	8	48,0	29,0
3/8"	10	56,0	34,0
1/2"	15	60,0	38,0
3/4"	20	66,0	47,0
1"	25	75,0	54,0
1 1/4"	32	80,0	63,0
1 1/2"	40	87,0	70,0
2"	50	96,0	86,0
2 1/2"	65	112,0	112,0
3"	80	125,0	126,0
4"	100	155,0	157,0



union conical BW/M



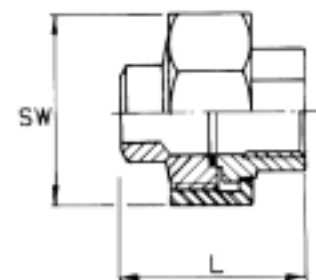
Dimension inch	NW	L mm	SW mm
1/8"	6	48,0	29,0
1/4"	8	48,0	29,0
3/8"	10	56,0	34,0
1/2"	15	60,0	38,0
3/4"	20	66,0	47,0
1"	25	75,0	54,0
1 1/4"	32	80,0	63,0
1 1/2"	40	87,0	70,0
2"	50	96,0	86,0
2 1/2"	65	112,0	112,0
3"	80	125,0	126,0
4"	100	155,0	157,0



union flat BW/F



Dimension inch	NW	L mm	SW mm
1/2"	15	44,0	38,0
3/4"	20	47,0	47,0
1"	25	54,0	53,0
1 1/4"	32	62,0	63,0
1 1/2"	40	64,0	70,0
2"	50	69,0	90,0



threaded fittings

union conical BW/F



Dimension inch	NW	L mm	SW mm
1/2"	15	44,0	38,0
3/4"	20	47,0	47,0
1"	25	54,0	53,0
1 1/4"	32	62,0	63,0
1 1/2"	40	64,0	70,0
2"	50	69,0	90,0

union flat M/M



Dimension inch	NW	L mm	SW mm
1/2"	15	73,0	42,0
3/4"	20	82,0	47,0
1"	25	90,0	53,0
1 1/4"	32	104,0	71,0
1 1/2"	40	110,0	78,0
2"	50	118,0	92,0

union conical M/M



Dimension inch	NW	L mm	SW mm
1/2"	15	41,0	42,0
3/4"	20	50,0	47,0
1"	25	48,0	53,0
1 1/4"	32	59,0	71,0
1 1/2"	40	64,0	78,0
2"	50	68,0	92,0

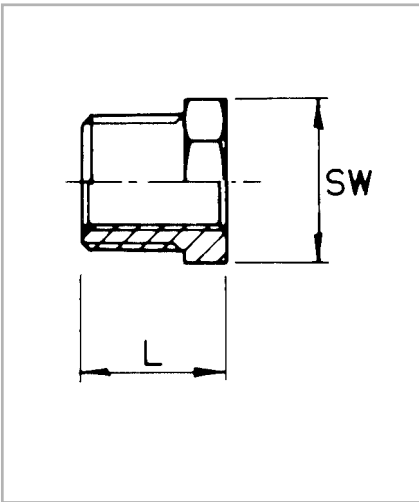
union conical hose/M



Dimension inch	NW	L mm	SW mm	D mm
3/8"	10	68,0	35,0	11,0
1/2"	15	80,0	42,0	12,7
3/4"	20	86,0	47,0	19,0
1"	25	91,0	53,0	25,4
1 1/4"	32	104,0	71,0	31,8
1 1/2"	40	119,0	77,0	38,1
2"	50	130,0	92,0	50,8

threaded fittings

hexagon bushing



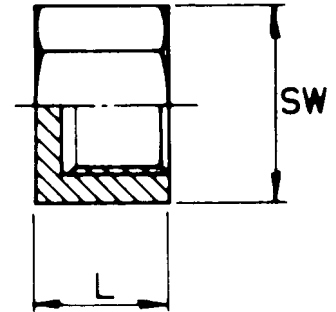
Dimension		NW	x	NW	L mm	SW mm
inch	x inch					
1/4"	x 1/8"	8	x	6	15,0	16,0
3/8"	x 1/8"	10	x	6	19,5	21,5
3/8"	x 1/4"	10	x	8	19,5	21,5
1/2"	x 1/8"	15	x	6	21,0	22,0
1/2"	x 1/4"	15	x	8	21,0	22,0
1/2"	x 3/8"	15	x	10	21,0	22,0
3/4"	x 1/4"	20	x	8	24,0	29,5
3/4"	x 3/8"	20	x	10	24,0	29,5
3/4"	x 1/2"	20	x	15	24,0	29,5
1"	x 1/4"	25	x	8	27,0	36,0
1"	x 3/8"	25	x	10	27,0	36,0
1"	x 1/2"	25	x	15	27,0	36,0
1"	x 3/4"	25	x	20	27,0	36,0
1 1/4"	x 3/8"	32	x	10	30,0	46,0
1 1/4"	x 1/2"	32	x	15	30,0	46,0
1 1/4"	x 3/4"	32	x	20	30,0	46,0
1 1/4"	x 1"	32	x	25	30,0	46,0
1 1/2"	x 1/2"	40	x	15	33,0	50,5
1 1/2"	x 3/4"	40	x	20	33,0	50,5
1 1/2"	x 1"	40	x	25	33,0	50,5
1 1/2"	x 1 1/4"	40	x	32	33,0	50,5
2"	x 1/2"	50	x	15	39,0	63,0
2"	x 3/4"	50	x	20	39,0	63,0
2"	x 1"	50	x	25	39,0	63,0
2"	x 1 1/4"	50	x	32	39,0	63,0
2"	x 1 1/2"	50	x	40	39,0	63,0
2 1/2"	x 1"	65	x	25	42,5	82,5
2 1/2"	x 1 1/4"	65	x	32	42,5	82,5
2 1/2"	x 1 1/2"	65	x	40	42,5	82,5
2 1/2"	x 2"	65	x	50	42,5	82,5
3"	x 1 1/2"	80	x	40	45,0	95,0
3"	x 2"	80	x	50	45,0	95,0
3"	x 2 1/2"	80	x	65	45,0	95,0
4"	x 2"	100	x	50	53,0	117,0
4"	x 2 1/2"	100	x	65	53,0	117,0
4"	x 3"	100	x	80	53,0	117,0

threaded fittings

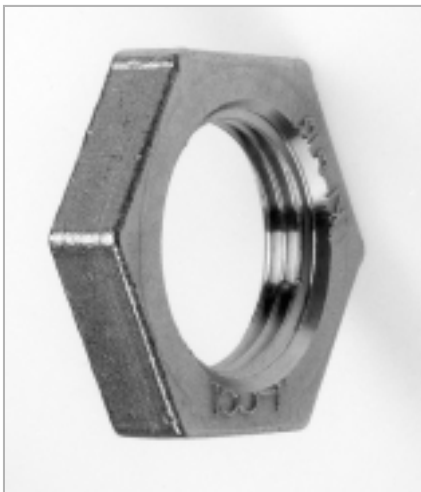
hexagon cap



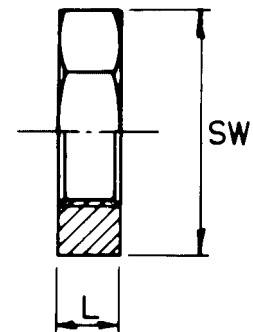
Dimension inch	NW	L mm	SW mm
1/8"	6	17,5	18,0
1/4"	8	17,0	18,0
3/8"	10	18,0	21,0
1/2"	15	20,0	27,0
3/4"	20	21,5	32,0
1"	25	25,0	39,5
1 1/4"	32	28,0	49,0
1 1/2"	40	30,0	55,0
2"	50	36,5	67,5
2 1/2"	65	48,0	87,0
3"	80	52,5	100,0
4"	100	55,0	121,0



hexagon nut



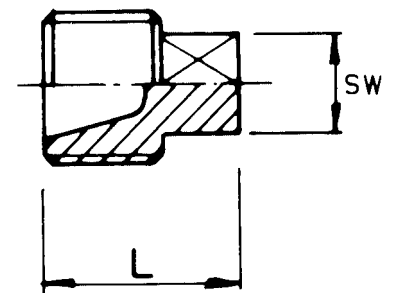
Dimension inch	NW	L mm	SW mm
1/8"	6	7,0	17,0
1/4"	8	7,5	19,0
3/8"	10	8,0	24,0
1/2"	15	8,5	30,0
3/4"	20	10,0	36,0
1"	25	10,5	41,0
1 1/4"	32	11,5	51,0
1 1/2"	40	12,5	60,0
2"	50	14,5	70,0
2 1/2"	65	18,0	90,5
3"	80	21,0	100,0
4"	100	21,5	150,0



square plug



Dimension inch	NW	L mm	SW mm
1/8"	6	19,5	7,0
1/4"	8	16,5	9,0
3/8"	10	18,0	10,0
1/2"	15	21,0	14,0
3/4"	20	24,5	17,0
1"	25	27,5	19,0
1 1/4"	32	35,0	23,0
1 1/2"	40	35,0	26,5
2"	50	42,5	32,5
2 1/2"	65	46,0	39,5
3"	80	50,0	39,5
4"	100	59,0	58,0

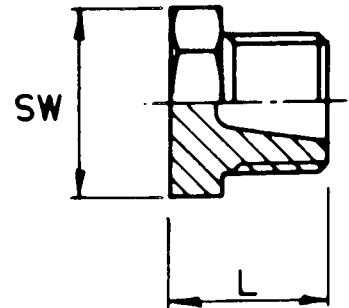


threaded fittings

hexagon plug tapered



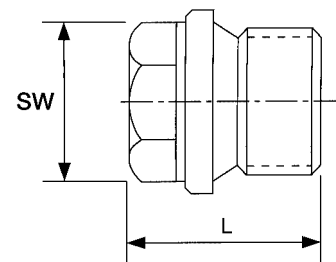
Dimension inch	NW	L mm	SW mm
1/8"	6	17,0	16,5
1/4"	8	17,0	16,5
3/8"	10	18,5	21,5
1/2"	15	21,0	25,5
3/4"	20	24,0	32,0
1"	25	27,5	38,0
1 1/4"	32	30,0	46,0
1 1/2"	40	30,0	52,0
2"	50	33,0	62,5
2 1/2"	65	40,0	81,0
3"	80	41,0	94,0
4"	100	47,0	116,5



DIN 910, gedreht (W.Nr. 1.4571) hexagon plug parallel



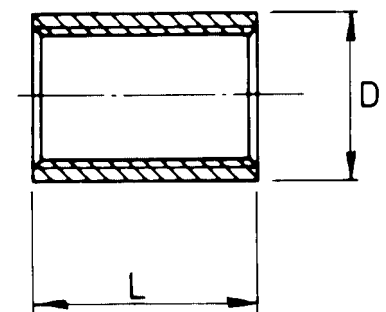
Dimension inch	NW	L mm	SW mm
1/8"	6	17,0	10,0
1/4"	8	17,0	13,0
3/8"	10	17,0	17,0
1/2"	15	22,0	19,0
3/4"	20	26,0	24,0
1"	25	32,0	27,0
1 1/4"	32	33,0	30,0
1 1/2"	40	33,0	34,0
2"	50	40,0	36,0



socket - auch im Wekstoff 1.4401 vorrätig.



Dimension inch	NW	L mm	D mm
1/8"	6	17,0	14,0
1/4"	8	25,0	17,5
3/8"	10	26,0	21,3
1/2"	15	34,0	26,4
3/4"	20	36,0	31,8
1"	25	43,0	39,5
1 1/4"	32	48,0	48,3
1 1/2"	40	48,0	54,5
2"	50	56,0	66,3
2 1/2"	65	65,0	82,0
3"	80	71,0	95,0
4"	100	83,0	122,0

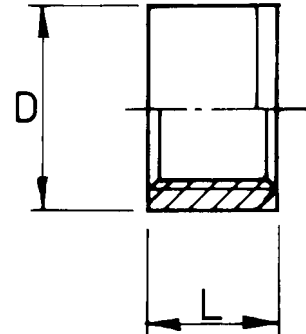


threaded fittings

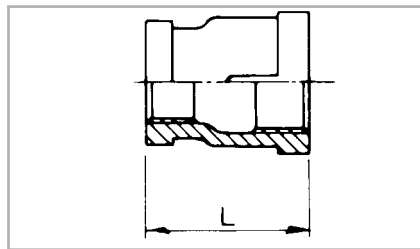
half socket - auch im Wekstoff 1.4401 vorrätig.



Dimension inch	NW	L mm	D mm
1/8"	6	7,5	14,0
1/4"	8	11,0	17,5
3/8"	10	11,5	21,3
1/2"	15	15,0	26,4
3/4"	20	16,5	31,8
1"	25	19,0	39,5
1 1/4"	32	22,0	48,3
1 1/2"	40	22,0	54,5
2"	50	26,0	66,3
2 1/2"	65	30,0	82,0
3"	80	33,0	95,0
4"	100	39,0	122,0



reducing socket



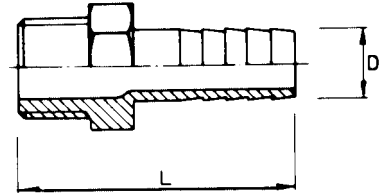
Dimension inch	x	inch	NW	x	NW	L mm	Dimension inch	x	inch	NW	x	NW	L mm
1/4"	x	1/8"	8	x	6	26,0	1 1/2"	x	1/2"	40	x	15	51,5
3/8"	x	1/8"	10	x	6	28,0	1 1/2"	x	3/4"	40	x	20	51,5
3/8"	x	1/4"	10	x	8	28,0	1 1/2"	x	1"	40	x	25	51,5
1/2"	x	1/8"	15	x	6	34,0	1 1/2"	x	1 1/4"	40	x	32	51,5
1/2"	x	1/4"	15	x	8	34,0	2"	x	1"	50	x	15	57,0
1/2"	x	3/8"	15	x	10	34,0	2"	x	1 1/4"	50	x	20	57,0
3/4"	x	1/4"	20	x	8	37,0	2"	x	1 1/2"	50	x	25	57,0
3/4"	x	3/8"	20	x	10	37,0	2"	x	1 1/2"	50	x	32	57,0
3/4"	x	1/2"	20	x	15	37,0	2 1/2"	x	1 1/4"	65	x	32	65,0
1"	x	3/8"	25	x	8	40,0	2 1/2"	x	1 1/2"	65	x	40	65,0
1"	x	1/2"	25	x	10	40,0	2 1/2"	x	2"	65	x	50	65,0
1"	x	1/2"	25	x	15	40,0	3"	x	2"	80	x	50	71,0
1"	x	3/4"	25	x	20	40,0	3"	x	2 1/2"	80	x	65	71,0
1 1/4"	x	1/2"	32	x	15	48,0	4"	x	2"	100	x	50	84,0
1 1/4"	x	3/4"	32	x	20	48,0	4"	x	2 1/2"	100	x	65	84,0
1 1/4"	x	1"	32	x	25	53,0	4"	x	3"	100	x	80	84,0

threaded fittings

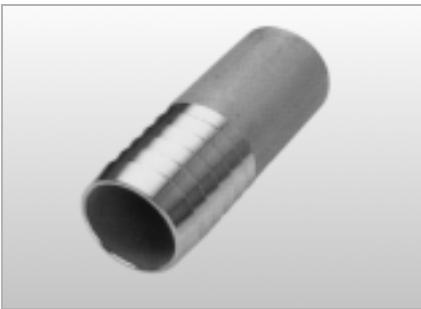
hose nipple



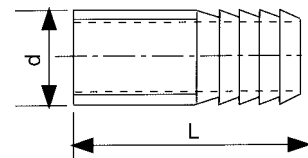
Dimension inch	NW	L mm	D mm
1/8"	6	35,0	7,0
1/4"	8	47,0	9,0
3/8"	10	51,0	11,0
1/2"	15	63,0	12,7
3/4"	20	66,5	20,0
1"	25	71,0	25,4
1 1/4"	32	77,5	33,0
1 1/2"	40	90,0	39,0
2"	50	96,5	51,0
2 1/2"	65	120,0	65,0
3"	80	128,0	77,5
4"	100	140,0	103,0



hose nipple - welding end



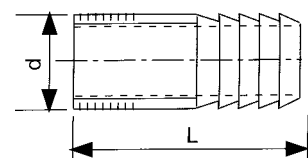
Dimension inch	NW	D mm	L mm
1/4"	8	13,5	70,0
3/8"	10	17,2	70,0
1/2"	15	21,3	70,0
3/4"	20	26,9	70,0
1"	25	33,7	70,0
1 1/4"	32	42,4	70,0
1 1/2"	40	48,3	100,0
2"	50	60,3	100,0



hose nipple - threaded end



Dimension inch	NW	D mm	L mm
1/4"	8	13,5	70,0
3/8"	10	17,2	70,0
1/2"	15	21,3	70,0
3/4"	20	26,9	70,0
1"	25	33,7	70,0
1 1/4"	32	42,4	70,0
1 1/2"	40	48,3	100,0
2"	50	60,3	100,0

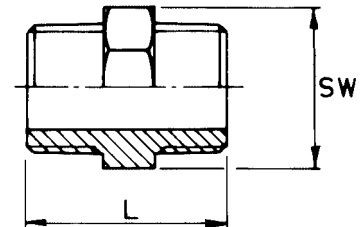


threaded fittings

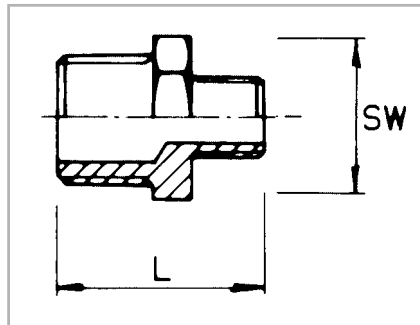
hexagon nipple



Dimension inch	NW	L mm	SW mm
1/8"	6	26,0	12,0
1/4"	8	28,0	15,0
3/8"	10	30,0	18,0
1/2"	15	36,0	22,0
3/4"	20	41,0	28,0
1"	25	46,0	36,0
1 1/4"	32	52,0	44,0
1 1/2"	40	54,0	50,0
2"	50	63,0	64,0
2 1/2"	65	71,0	80,0
3"	80	83,0	90,0
4"	100	96,0	117,0



hexagon reducing nipple



Dimension inch	x	inch	NW	x	NW	L mm	SW mm	Dimension inch	x	inch	NW	x	NW	L mm	SW mm
1/4"	x	1/8"	8	x	6	32,0	15,0	1 1/2"	x	1/2"	40	x	15	54,0	50,0
3/8"	x	1/8"	10	x	6	34,0	21,0	1 1/2"	x	3/4"	40	x	20	54,0	50,0
3/8"	x	1/4"	10	x	8	34,0	21,0	1 1/2"	x	1"	40	x	25	54,0	50,0
1/2"	x	1/8"	15	x	6	40,0	23,0	1 1/2"	x	1 1/4"	40	x	32	58,0	50,0
1/2"	x	1/4"	15	x	8	40,0	23,0	2"	x	1/2"	50	x	15	59,0	63,0
1/2"	x	3/8"	15	x	10	40,0	23,0	2"	x	3/4"	50	x	20	59,0	63,0
3/4"	x	1/4"	20	x	8	46,0	29,0	2"	x	1"	50	x	25	59,0	63,0
3/4"	x	3/8"	20	x	10	46,0	29,0	2"	x	1 1/4"	50	x	32	61,0	63,0
3/4"	x	1/2"	20	x	15	46,0	29,0	2"	x	1 1/2"	50	x	40	61,0	63,0
1"	x	1/4"	25	x	8	47,0	35,0	2 1/2"	x	1 1/4"	65	x	32	71,0	77,0
1"	x	3/8"	25	x	10	47,0	35,0	2 1/2"	x	1 1/2"	65	x	40	71,0	77,0
1"	x	1/2"	25	x	15	47,0	35,0	2 1/2"	x	2"	65	x	50	76,0	77,0
1"	x	3/4"	25	x	20	47,0	35,0	3"	x	2"	80	x	50	80,0	92,0
1 1/4"	x	1/2"	32	x	15	51,0	46,0	3"	x	2 1/2"	80	x	65	85,0	92,0
1 1/4"	x	3/4"	32	x	20	51,0	46,0	4"	x	2"	100	x	50	85,0	118,0
1 1/4"	x	1"	32	x	25	51,0	46,0	4"	x	2 1/2"	100	x	65	85,0	118,0
								4"	x	3"	100	x	80	85,0	118,0

Weitere Reduzierungen vorrätig!