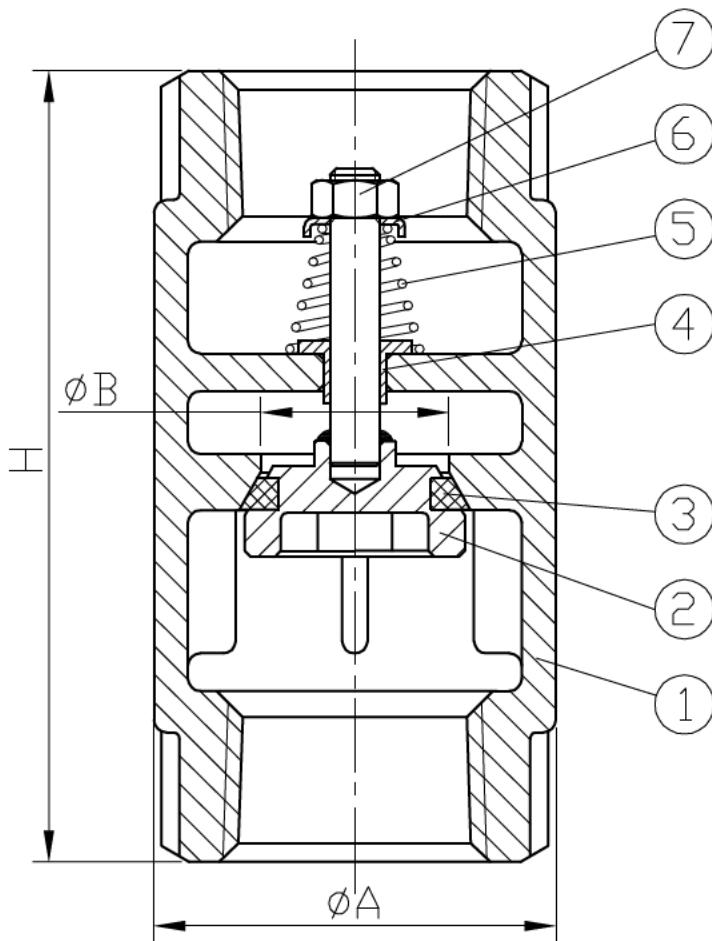


IN-LINE CHECK VALVE

TC515 SUS316 A351Gr-CF8M



APPLICATIONS:

- WORKING PRESSURE: 125PSI 200W.O.G
- TESTING PRESSURE: SHELL 80PSI AIR
SEAT 80PSI AIR

NOMENCLATURE & MATERIAL:

| NO. | PARTNAME | MATERIAL |
|-----|--------------|----------|
| 1 | BODY | SS316 |
| 2 | DISC | SS316 |
| 3 | SEAT | PTFE |
| 4 | WASHER | PTFE |
| 5 | SPRING | SS304 |
| 6 | SPRING COVER | SS304 |
| 7 | NUT | SS304 |

| SIZE NO. | 1/2" | 3/4" | 1" | 1 1/4" | 1 1/2" | 2" |
|-------------|------|------|----|--------|--------|-----|
| A | 32 | 36 | 44 | 56 | 66 | 79 |
| B | 15 | 18.5 | 23 | 32 | 36 | 48 |
| H | 63 | 74 | 83 | 94 | 107 | 130 |

