

# Three piece Spring type Check Valve. PN40. Screwed end

**Fig no. WA-002T Full Bore**  
**1/4" ~ 4" DN8 ~ 100**



**Feature :**

- Investment casting component
- Horizontal or Vertical Installation
- Low pressure drop
- For General chemical and industrial application

**Standard Compliance :**

Body wall thickness : EN 12516-1/2/3  
 Threaded end : BS 21 ( BSP )

- BSPT
- ISO 228-1
- DIN 2999
- ISO 7-1Rp

Face to Face : MFG's standard

Body material : EN10213-4

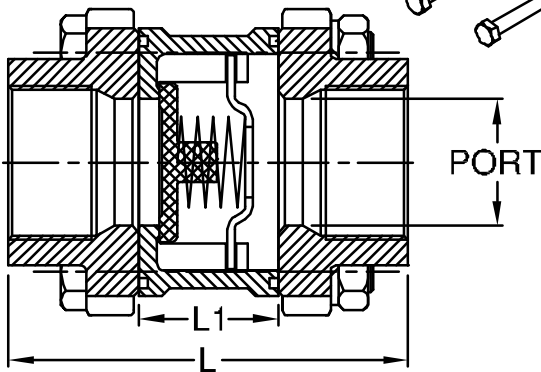
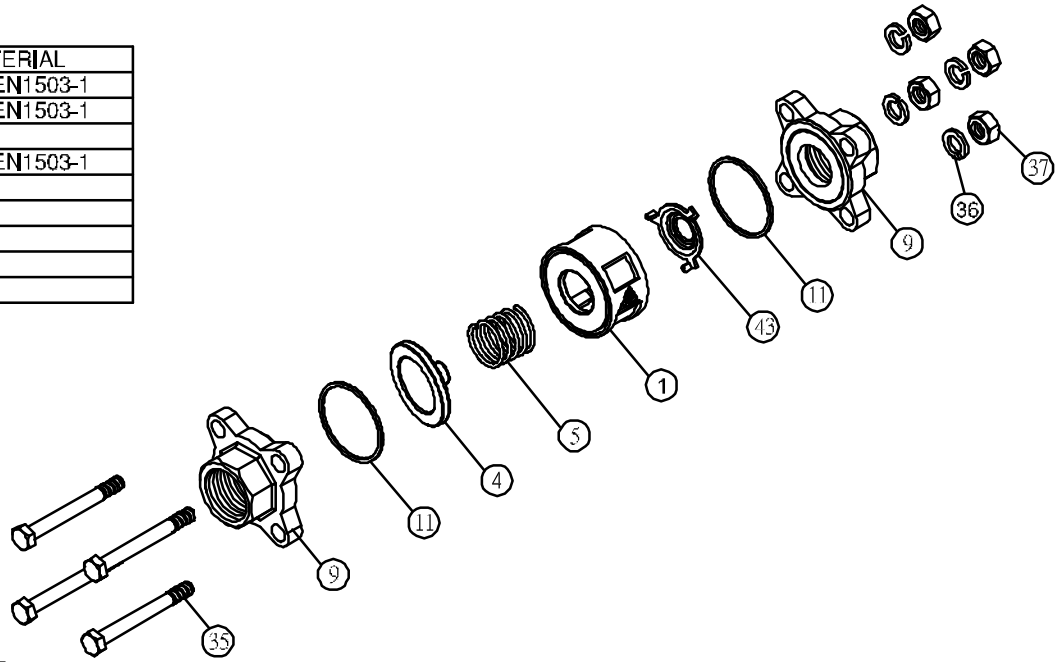
Pressure testing : EN 12266

**Specification:**

- End connection : Threaded end
- Working pressure : 40 bar ( CWP )
- Temperature : -20 ~ 180°C

**MATERIALS LIST**

NO.	PART NAME	MATERIAL
1	BODY	1.4408 / EN1503-1
4	DISC	1.4408 / EN1503-1
5	SPRING	SS316
9	END CAP	1.4408 / EN1503-1
11	BODY SEAL	PTFE.
35	BODY BOLT	SS304
36	BOLT WASHER	SS304
37	BOLT NUT	SS304
43	HOLDER	SS316



**DIMENSIONS**

SIZE	PORT	unit:mm		
		L	L1	
DN8	1/4"	12.0	53.0	14.0
DN10	3/8"	12.0	53.0	14.0
DN15	1/2"	15.0	67.0	18.0
DN20	3/4"	20.0	69.0	22.0
DN25	1"	25.0	79.0	27.5
DN32	1-1/4"	32.0	92.0	32.0
DN40	1-1/2"	40.0	101.0	37.0
DN50	2"	50.0	115.0	47.0
DN65	2-1/2"	65.0	145.0	47.0
DN80	3"	80.0	154.0	55.0
DN100	4"	100.0	180.0	70.0

Opening pressure STD in Mbar  
 Presion apertura Standard in Mbar

DN 25	25	21	23	DN 40	29	21	25	DN 65	31	21	25	DN 100	33	21	27
▲	▼	▶	▲	▼	▶	▲	▼	▶	▲	▼	▶	▲	▼	▶	
DN 32	27	21	24	DN 50	29	21	25	DN 80	32	21	26				
▲	▼	▶	▲	▼	▶	▲	▼	▶							