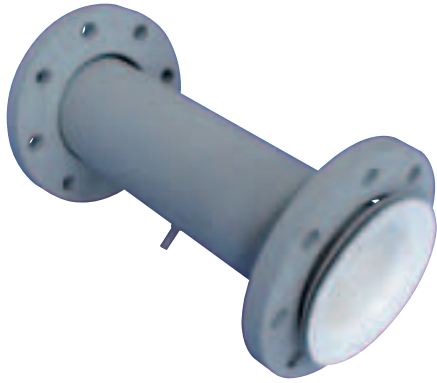


FLANGED SPOOLS



LINING

VIRGIN PTFE ::
DN 15 – DN 600

ANTI STATIC PTFE (Black),C4 = A
DN 15 – DN 400

Standard construction : 2 loose flanges

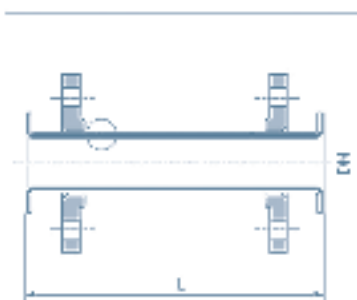
- Type C : DN 15 to DN 300, C14 = C

On request : 1 fix flange, 1 loose flange

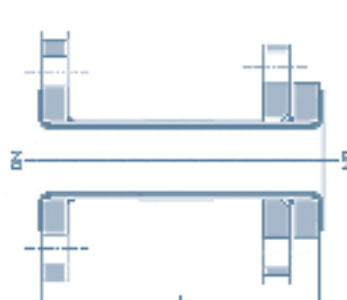
- Type P : DN 15 to DN 350
- Type W : C14 = W

DN	L mini	L maxi	Weight kg/m	Pair flanges weight	REFERENCE															
	mm	mm			1	2	3	4	5	6	7	8	9	10	11	12	13	14	15	16
15	85	6000	1.8	1.4	D	1	-	-	L	x	x	x	x	H						
20	85	6000	1.8	7.9	D	1	-	-	L	x	x	x	x	J						
25	85	6000	2.8	2.5	D	1	-	-	L	x	x	x	x	K						
32	85	6000	3.2	3.7	D	1	-	-	L	x	x	x	x	L						
40	90	6000	3.9	4.2	D	1	-	-	L	x	x	x	x	M						
50	100	6000	5.3	5.5	D	1	-	-	L	x	x	x	x	N						
65	100	6000	6.7	6.7	D	1	-	-	L	x	x	x	x	O						
80	110	6000	9.2	8.4	D	1	-	-	L	x	x	x	x	P						
100	120	6000	12	10	D	1	-	-	L	x	x	x	x	Q						
125	120	6000	16	13	D	1	-	-	L	x	x	x	x	R						
150	120	6000	21	16	D	1	-	-	L	x	x	x	x	S						
200	130	6000	41	23	D	1	-	-	L	x	x	x	x	T						
250	150	6000	56	31	D	1	-	-	L	x	x	x	x	U						
300	150	6000*	63	38	D	1	-	-	L	x	x	x	x	V						
350	150	3000	78	51	D	1	-	-	L	x	x	x	x	W						
400	150	3000	97	65	D	1	-	-	L	x	x	x	x	X						
450	150	3000	104	85	D	1	-	-	L	x	x	x	x	Y						
500	160	3000	133	90	D	1	-	-	L	x	x	x	x	Z						
600	180	1500	161	134	D	1	-	-	L	x	x	x	x	B						

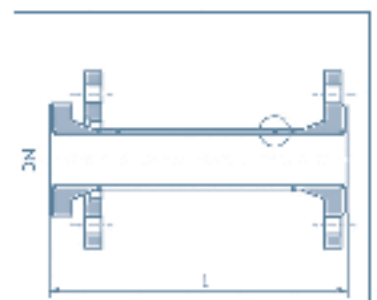
* For vacuum thickness, L max = 4500 xxxx : length in mm



Type C construction



Type P construction



Type W construction