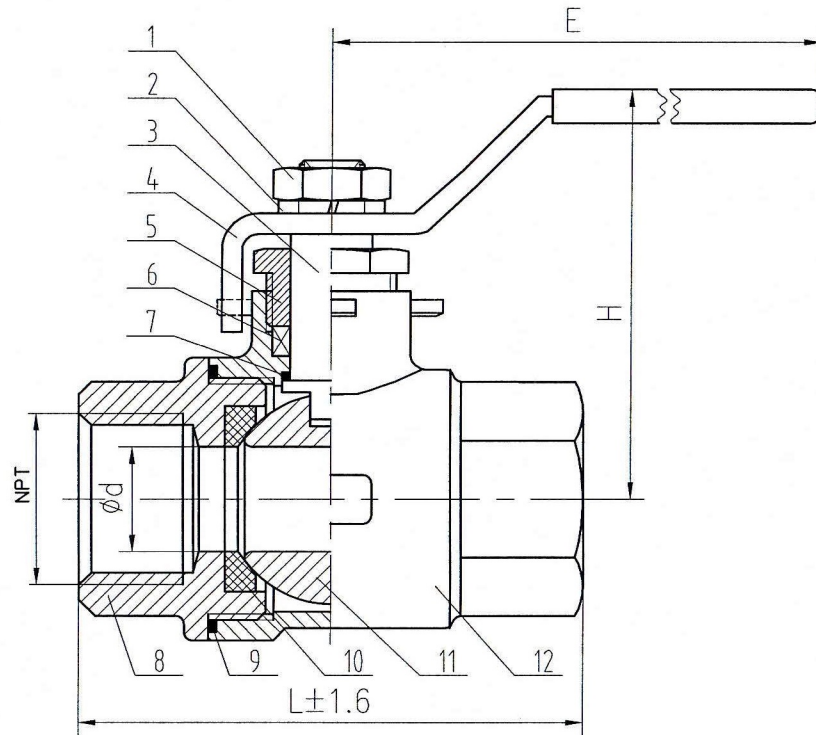


## MAIN PARTS AND MATERIALS



NO.	PART NAME	MATERIAL	NO.	PART NAME	MATERIAL
1	Nut	304	7	Thrust Washer	PTFE
2	Spring Washer	304	8	Cap	WCB
3	Stem	304	9	Gasket	PTFE
4	Handle	304	10	Seat	PTFE
5	Gland Nut	304	11	Ball	304
6	Packing	PTFE	12	Body	WCB

## CONFIGURATION DIMENSION

ITEM SIZE	1/2"	3/4"	1"	1 1/4"	1 1/2"	2"
d	15	20	25	32	38	49
H	49	55	67	70	80	92
E	105	120	135	140	175	175
L	62	70	81	95	105	117

2PC ball valve

**V2-64NPT-GSC**