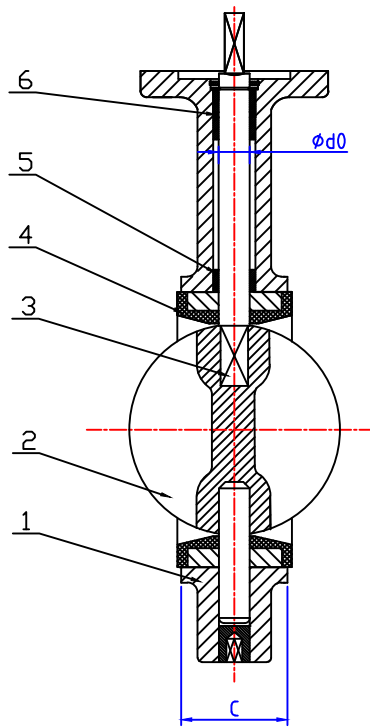
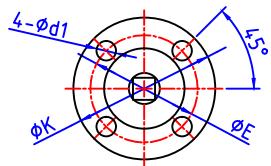
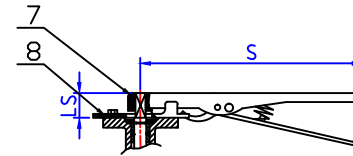


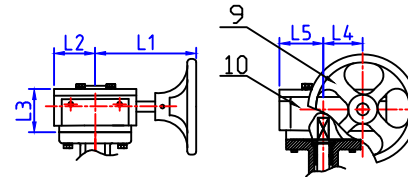
TOP FLANGE



FLANGE DIMENSIONS					
SIZE	ISO5211	ØK	ØE	4-Ød1	
2"-3"	F05	65	50	4-7	
2"-3"	F07	90	70	4-10	
4"-6"	F07	90	70	4-10	
8"-12"	F10	125	102	4-12	



MALLEABLE IRON LEVER			
SIZE	ISO5211	S	LS
2"-3"	F05	220	26
4"	F07	260	28
5"-6"	F07	260	28
8"	F10	355	38
10"	F10	355	38
12"	F10	505	40



GEAR ACTUATOR						
SIZE	W	L1	L2	L3	L4	L5
2"-6"	150	152	52	75	45	52
8"-10"	300	250	75	86	63	75
12"	300	227	81	83	81	81

10	GEAR	CAST IRON	1
9	HANDWHEEL	CI	1
8	INDICATOR	CARBON STEEL	1
7	LEVER	MALLEBLE RON	1
6	O-RING	NBR	1
5	BUSHING	PTFE	3
4	SEAT	<input type="checkbox"/>	1
		<input type="checkbox"/> VITON	
		<input type="checkbox"/> NBR	
		<input checked="" type="checkbox"/> EPDM	
3	SHAFT	<input type="checkbox"/>	2
		<input checked="" type="checkbox"/> SS410	
		<input type="checkbox"/> SS316	
		<input type="checkbox"/> SS304	
2	DISC	<input type="checkbox"/> C954	1
		<input type="checkbox"/> DI	
		<input checked="" type="checkbox"/> CF8M	
		<input type="checkbox"/> CF8	
1	BODY	<input type="checkbox"/>	1
		<input checked="" type="checkbox"/> CI	
		<input type="checkbox"/> DI	
		<input type="checkbox"/> WCB	
NO.	PARTS NAME	MATERIAL	QTY

THE HYDROSTATIC TEST

	PRESSURE(MPa)		DURATION TIME(S)	
	PN10	PN16	1.5"-6"	8"-12"
SHELL	1.5	2.4	60	120
SEAL	1.1	1.76	60	60

STANDARD:

- DESIGN CODE : EN593/BSS155/API609 Class A
- FACE TO FACE : EN558/ISO5752 20series/API609
- END STANDARD : EN1092-2/PN10/PN16/ANSI 150#/JS 10K
- INSPECTION & TEST: API 598/EN12266-1

MAIN DIMENSIONS									<input type="checkbox"/> PN10	<input type="checkbox"/> PN16	<input checked="" type="checkbox"/> 150LB						
DN	SIZE	A	B	C	D	d0	B1	L	D1	N-M	&°	D1	N-M	&°	D1	N-M	&°
50	2"	140	80	42	52.9	12.6	11	26	125	4-M16	90°	125	4-M16	90°	120.5	4-5/8	90°
65	2.5"	150	89	44.7	64.5	12.6	11	26	145	4-M16	90°	145	4-M16	90°	139.5	4-5/8	90°
80	3"	158	95	46	78.8	12.6	11	26	160	8-M16	45°	160	8-M16	45°	152.5	4-5/8	90°
100	4"	176	114	52	104	15.77	11	28	180	8-M16	45°	180	8-M16	45°	190.5	8-5/8	45°
125	5"	190	127	54.4	123.3	18.92	14	28	210	8-M16	45°	210	8-M16	45°	216.0	8-3/4	45°
150	6"	212	139	55.8	155.1	18.92	14	28	240	8-M20	45°	240	8-M20	45°	241.5	8-3/4	45°
200	8"	235	175	60.6	202.5	22.1	17	38	295	8-M20	45°	295	12-M20	30°	298.5	8-3/4	45°
250	10"	268	203	65.6	250.5	28.45	22	38	350	12-M20	30°	355	12-M24	30°	362.0	12-7/8	30°
300	12"	309	242	76.9	301.5	31.6	22	40	400	12-M20	30°	410	12-M24	30°	432.0	12-7/8	30°

LUG TYPE BUTTERFLY VALVE DN50-DN300

DESIGNED	DWG NO.	
CHECKED	MODEL	P1L16S/EPDM
APPROVED		