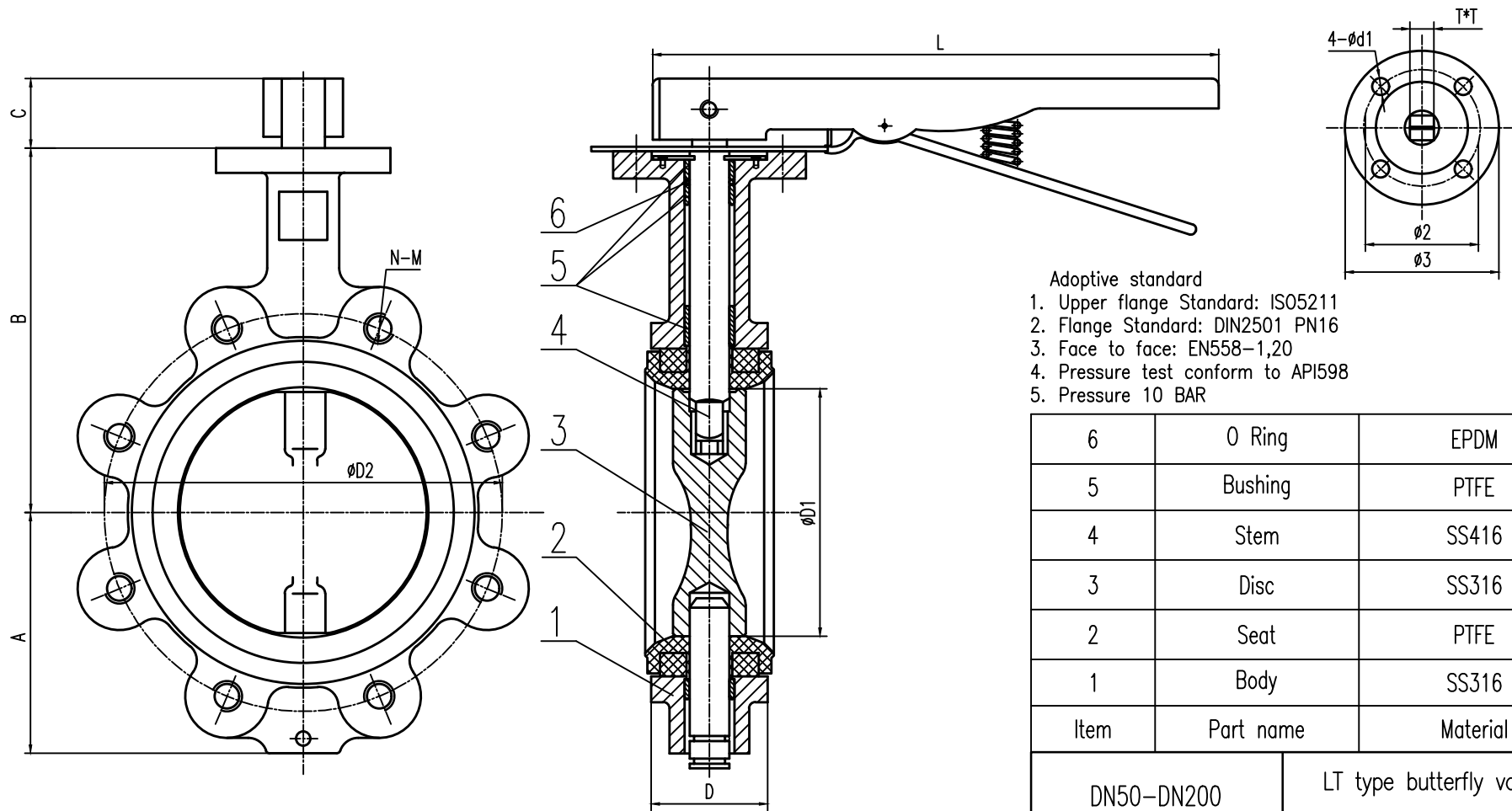


SIZE	A	B	ØD1	DIN PN16			D	ISO5211	Ø2	Ø3	4-Ød1	C	L	T*T
				ØD2	N-Ød									
DN50	80	161	52.6	125	4-18		43	F05	50	77	7	29	237	9*9
DN65	89	175	64.3	145	4-18		46	F05	50	77	7	29	237	9*9
DN80	95	181	78.8	160	8-18		46	F05	50	77	7	29	237	9*9
DN100	114	200	104	180	8-18		52	F07	70	90	10	30	283	11*11
DN125	127	213	123.3	210	8-18		56	F07	70	90	10	30	283	14*14
DN150	139	226	155.7	240	8-22		56	F07	70	90	10	30	283	14*14
DN200	175	260	202.5	295	12-22		60	F10	102	125	12	45	400	17*17



- Adoptive standard
1. Upper flange Standard: ISO5211
 2. Flange Standard: DIN2501 PN16
 3. Face to face: EN558-1,20
 4. Pressure test conform to API598
 5. Pressure 10 BAR

6	O Ring	EPDM
5	Bushing	PTFE
4	Stem	SS416
3	Disc	SS316
2	Seat	PTFE
1	Body	SS316
Item	Part name	Material

DN50-DN200		LT type butterfly valve
Total 1 Page		No 1 Page
		PS1L1610-S-PTFE-K