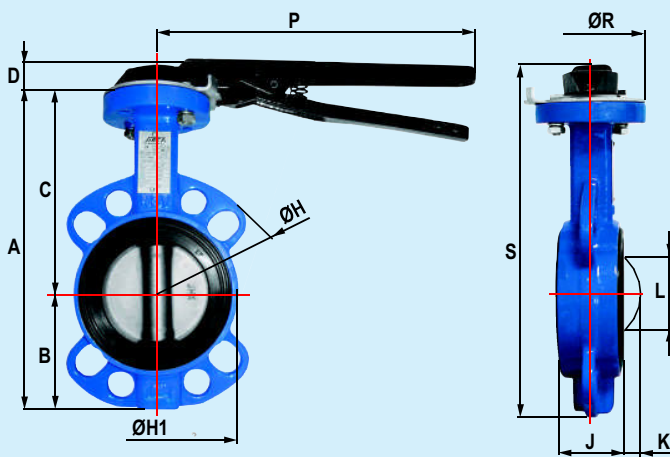




VALVOLE A FARFALLA A TENUTA MORBIDA
BUTTERFLY VALVES SOFT SEATED

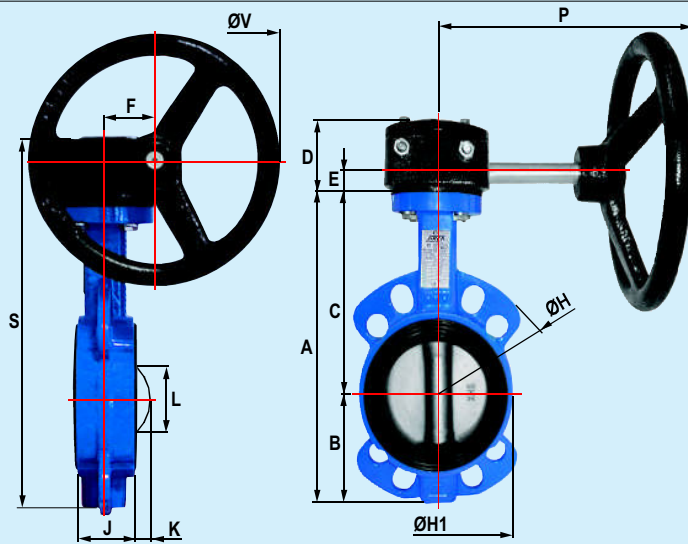
SERIE 301E
301E SERIES

ACCOPIAMENTI VALVOLA CON ATTUATORI ED ACCESSORI - VALVES WITH ACTUATORS AND ACCESSORIES



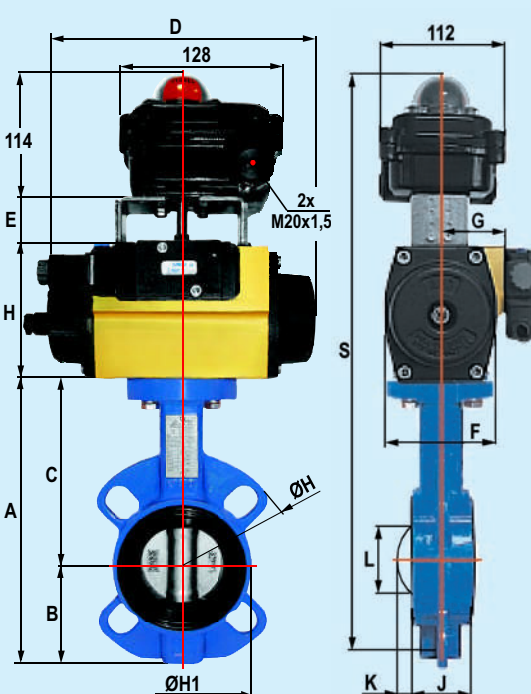
Ø VALV. SIZES	MOD. LEVER	A	B	C	D	ØH	ØH1	J	K	L	P	ØR	S
40	F05	190	60.4	129.6	21.5	145	83.5	33	4.25	19.7	200	70	211.5
1 1/2		7.48	2.37	5.1	0.84	5.7	3.28	1.29	0.16	0.77	7.87	2.75	8.32
50	F05	207	72	135	21.5	162	99	43	4.75	21.2	200	70	228.5
2		8.14	2.83	5.31	0.84	6.37	3.89	1.69	0.18	0.83	7.87	2.75	9
65	F07	232	82	150	31.5	180.5	116	46	10.5	44.6	290	90	263.5
2 1/2		9.13	3.22	5.9	1.24	7.1	4.56	1.81	0.41	1.75	11.41	3.54	10.37
80	F07	252	92	160	31.5	198	135	46	18	65	290	90	283.5
3		9.92	3.62	6.29	1.24	7.79	5.31	1.81	0.71	2.55	11.41	3.54	11.16
100	F07	282	102	180	31.5	224	157	52	25	85	290	90	313.5
4		11.1	4	7	1.24	8.81	6.18	2.05	0.98	3.34	11.41	3.54	12.34
125	F07	315	121	194.5	31.5	260	197	56	35.5	112	290	90	346.5
5		12.4	4.76	7.65	1.24	10.23	7.75	2.22	1.39	4.4	11.41	3.54	13.64
150	F07	345	135	210.5	31.5	287	211	56	44.6	138	290	90	376.5
6		13.58	5.31	8.28	1.24	11.29	8.3	2.22	1.75	5.43	11.41	3.54	14.82
200	F10	410	172	238	28	348	270	60	71	193	335	120	438
8		16.14	6.77	9.37	1.1	13.7	10.62	2.36	2.79	7.59	13.18	4.72	17.24
250	F12	481	202	279	32	415	317	68	90	239	375	150	513
10		18.93	7.95	10.98	1.25	16.33	12.48	2.67	3.54	9.4	14.76	5.9	20.19
300	F12	553	239	314	32	483	373	78	111	289	375	150	585
12		21.77	9.4	12.36	1.25	19	14.68	3	4.37	11.37	14.76	5.9	23

Valvola a farfalla con leva parzializzante a 10 posizioni.
Butterfly Valve with 10 position leverlock handle.



Ø VALV. SIZES	MOD. GEAR	A	B	C	D	E	F	ØH	ØH1	J	K	L	P	S	ØV
40	RV 18:1	190	60.4	129.6	53.5	26.5	42.5	145	83.5	33	4.25	19.7	150	243.5	200
1 1/2		7.48	2.37	5.1	2.1	1.04	1.67	5.7	3.28	1.29	0.16	0.77	5.9	9.58	2.75
50	RV 18:1	207	72	135	53.5	26.5	42.5	162	99	43	4.75	21.2	150	260.5	200
2		8.14	2.83	5.31	2.1	1.04	1.67	6.37	3.89	1.69	0.18	0.83	5.9	10.25	2.75
65	RV 24:1	232	82	150	69	34	46.5	180.5	116	46	10.5	44.6	197	301	200
2 1/2		9.13	3.22	5.9	2.71	1.33	7.1	7.1	4.56	1.81	0.41	1.75	7.75	11.85	3.54
80	RV 24:1	252	92	160	69	34	46.5	198	135	46	18	65	197	321	200
3		9.92	3.62	6.29	2.71	1.33	1.83	7.79	5.31	1.81	0.71	2.55	7.75	12.63	3.54
100	RV 24:1	282	102	180	69	34	46.5	224	157	52	25	85	197	351	200
4		11.1	4	7	2.71	1.33	1.83	8.81	6.18	2.05	0.98	3.34	7.75	13.8	3.54
125	RV 24:1	315	121	194.5	69	34	46.5	260	197	56	35.5	112	197	384	200
5		12.4	4.76	7.65	2.71	1.33	1.83	10.23	7.75	2.22	1.39	4.4	7.75	15.1	3.54
150	RV 24:1	345	135	210.5	69	34	46.5	287	211	56	44.6	138	197	414	200
6		13.58	5.31	8.28	2.71	1.33	1.83	11.29	8.3	2.22	1.75	5.43	7.75	16.3	3.54
200	RV 30:1	410	172	238	84	37.5	67	348	270	60	71	193	231	494	200
8		16.14	6.77	9.37	3.3	1.47	2.63	13.7	10.62	2.36	2.79	7.59	9.07	19.44	4.72
250	RV 30:1	481	202	279	84	37.5	67	415	317	68	90	239	231	565	300
10		18.93	7.95	10.98	3.3	1.47	2.63	16.33	12.48	2.67	3.54	9.4	9.07	22.24	5.9
300	RV 30:1	553	239	314	84	37.5	67	483	373	78	111	289	231	637	300
12		21.77	9.4	12.36	3.3	1.47	2.63	19	14.68	3	4.37	11.37	9.07	25.07	5.9

Valvola a farfalla con riduttore ad ingranaggi irreversibile a volantino.
Butterfly Valve with irreversible reduction gear and handwheel.



Ø VALV. SIZES	MOD. ATT. ACT. TYPE	A	B	C	D	E	F	G	H	ØH	ØH1	J	K	L	S
40	AP 1 DA	190	60.4	129.6	142	46	60	41	67	145	83.5	33	4.25	19.7	417
1 1/2		7.48	2.37	5.1	5.59	1.81	2.36	1.61	2.64	5.7	3.28	1.29	0.16	0.77	16.41
50	AP 1 SR	190	60.4	129.6	142	46	60	41	67	145	83.5	33	4.25	19.7	417
2		7.48	2.37	5.1	5.59	1.81	2.36	1.61	2.64	5.7	3.28	1.29	0.16	0.77	16.41
50	AP 2 DA	207	72	135	155	46	73	44.5	83	162	99	43	4.75	21.2	450
2		8.14	2.83	5.31	6.1	1.81	2.87	1.75	3.27	6.37	3.89	1.69	0.18	0.83	17.71
50	AP 3 SR	207	72	135	213	46	85	49.5	100	162	99	43	4.75	21.2	467
2		8.14	2.83	5.31	8.38	1.81	3.35	1.95	3.94	6.37	3.89	1.69	0.18	0.83	18.38
65	AP 3 DA	232	82	150	213	46	85	49.5	100	180.5	116	46	10.5	44.6	492
2 1/2		9.13	3.22	5.9	8.38	1.81	3.35	1.95	3.94	7.1	4.56	1.81	0.41	1.75	19.37
65	AP 3,5 SR	232	82	150	236	46	98	53	110	180.5	116	46	10.5	44.6	502
2 1/2		9.13	3.22	5.9	9.29	1.81	3.86	2.09	4.33	7.1	4.56	1.81	0.41	1.75	19.76
80	AP 3 DA	252	92	160	213	46	85	49.5	100	198	135	46	18	65	512
3		9.92	3.62	6.29	8.38	1.81	3.35	1.95	3.94	7.79	5.31	1.81	0.71	2.55	20.15
80	AP 4 SR	252	92	160	276	46	110	58	125	198	135	46	18	65	537
3		9.92	3.62	6.29	10.86	1.81	4.33	2.28	4.92	7.79	5.31	1.81	0.71	2.55	21.14
100	AP 3 DA	282	102	180	213	46	85	49.5	100	224	197	52	25	85	542
4		11.1	4	7	8.38	1.81	3.35	1.95	3.94	8.81	7.75	2.05	0.98	3.34	21.33
100	AP 4 SR	282	102	180	276	46	110	58	125	224	197	52	25	85	567
4		11.1	4	7	10.86	1.81	4.33	2.28	4.92	8.81	7.75	2.05	0.98	3.34	22.32
125	AP 4 DA	315	121	194.5	276	46	110	58	125	260	157	56	35.5	112	600
5		12.4	4.76	7.65	10.86	1.81	4.33	2.28	4.92	10.23	6.18	2.22	1.39	4.4	23.62
125	AP 4,5 SR	315	121	194.5	310	56	128	69	142	260	157	56	35.5	112	627
5		12.4	4.76	7.65	12.2	2.2	5.04	2.72	5.59	10.23	6.18	2.22	1.39	4.4	24.68
150	AP 4 DA	345	135	210.5	276	46	110	58	125	287	211	56	44.6	138	630
6		13.58	5.31	8.28	10.86	1.81	4.33	2.28	4.92	11.29	8.3	2.22	1.75	5.43	24.8
150	AP 5 SR	345	135	210.5	366	56	140	-	155	287	211	56	44.6	138	670
6		13.58	5.31	8.28	14.4	2.2	5.51	-	6.1	11.29	8.3	2.22	1.75	5.43	26.37
200	AP 5 DA	410	172	238	366	56	140	-	155	348	270	60	71	193	735
8		16.14	6.77	9.37	14.4	2.2	5.51	-	6.1	13.7	10.62	2.36	2.79	7.59	28.93
200	AP 6 SR	410	172	238	468	56	175	-	200	348	270	60	71	193	780
8		16.14	6.77	9.37	18.42	2.2	6.89	-	7.87	13.7	10.62	2.36	2.79	7.59	30.7
250	AP 5 DA	481	202	279	366	56	140	-	155	415	317	68	90	239	806
10		18.93	7.95	10.98	10	2.2	5.51	-	6.1	16.33	12.48	2.67	3.54	9.4	31.73
250	AP 6 SR	481	202	279	468	56	175	-	200	415	317	68	90	239	851
10		18.93	7.95	10.98	18.42	2.2	6.89	-	7.87	16.33	12.48	2.67	3.54	9.4	33.5
300	AP 6 DA	553	239	314	468	56	175	-	200	483	373	78	111	289	923
12		21.77	9.4	12.36	18.42	2.2	6.89	-	7.87	19	14.68	3	4.37	11.37	36.33
300	AP 8 SR	553	239	314	563	76	215	-	250	483	373	78	111	289	993
12		21.77	9.4	12.36	22.16	3	8.46	-	9.84	19	14.68	3	4.37	11.37	39.1

Valvola a farfalla con attuatore pneumatico mod. AP a doppio e semplice effetto con Box micro Ip65 serie MBX ed elettrovalvola NAMUR Ip65.
Butterfly Valve with double or spring return actuat. mod. AP with MBX series limit switch box Ip65 and NAMUR solenoid valve Ip 65.

ins mm