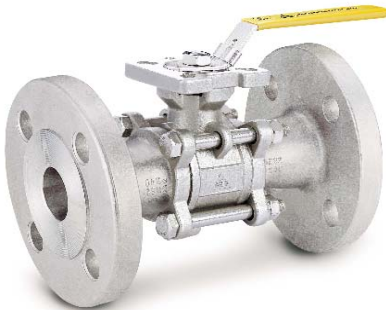


Fig no. V-158F Full Bore
1/2" ~ 4" DN 15 - DN 100



Features :

- Investment Casting Component
- Blow out proof stem, ISO 5211 Direct mounting type
- In-line Maintenance
- For Chemical, Industrial Application
- Carbon Steel or Super Alloy upon request

Standard Compliance :

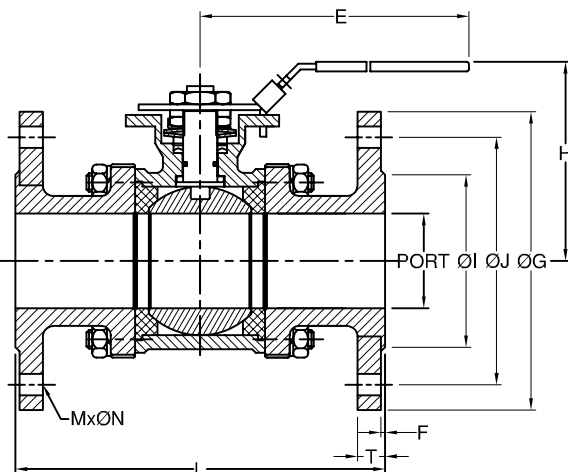
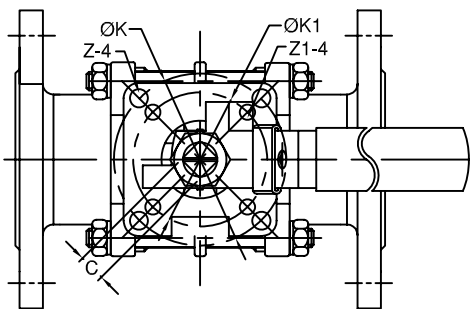
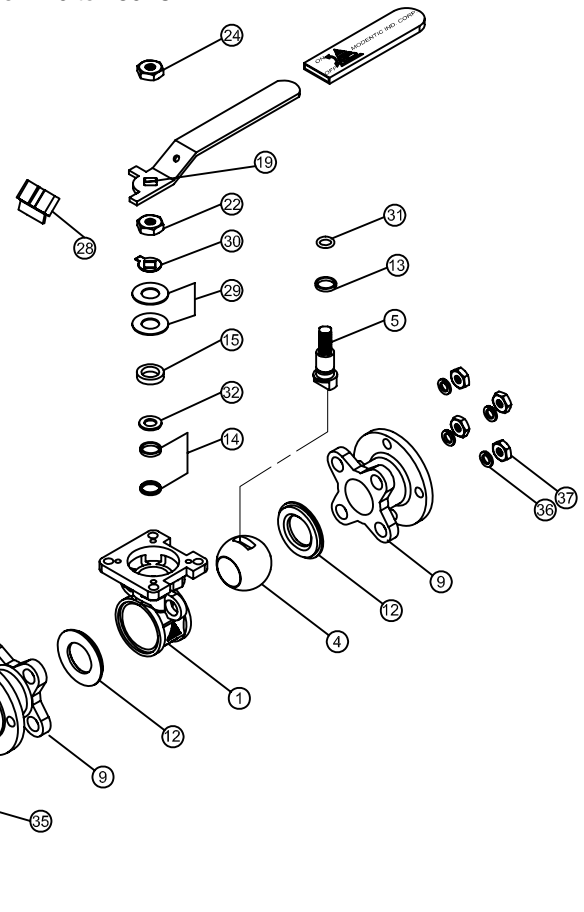
- Body wall thickness : EN 12516-1/2/3
- Flange dimension : EN 1092-1 PN40
- Face to Face : EN 558-1 F1
- Body material : EN1503-1
- Pressure testing : EN 12266

Specification :

- End connection : Flange RF
- Working Pressure : 36.4 bar (RT)
- Temperature : -20 to 180° C

MATERIALS LIST

NO.	PART NAME	MATERIAL
1	BODY	1.4408 / EN1503-1
4	BALL	CF8M / EN1503-2
5	STEM	SS316
9	END CAP	1.4408 / EN1503-1
12	SEAT	RTFE.
13	THRUST WASHER	RTFE.
14	STEM PACKING	RTFE.
15	GLAND BUSH	SS304
19	HANDLE	SS304
21	HANDLE COVER	PLASTIC
22	STEM NUT	SS304
24	HANDLE NUT	SS304
28	LOCKING PAD	SS304
29	BELLEVILLE WASHER	SS304-CSP
30	TAB WASHER	SS304
31	O-RING	VITON
32	PACKING FOLLWER	PTFE.+25%GF
35	BODY BOLT	SS304
36	BOLT WASHER	SS304
37	BOLT NUT	SS304



DIMENSIONS

unit:mm

SIZE	PORT	L	E	H	C	ØG	ØJ	ØI	T	F	MxØN	ØK	ØK1	Z-4	Z1-4	
DN15	1/2"	15.0	130.0	112.0	74.0	9.0	95.0	65.0	45.0	16.0	2.0	4xØ14	50.0	36.0	7.0	6.0
DN20	3/4"	20.0	150.0	112.0	81.0	9.0	105.0	75.0	58.0	18.0	2.0	4xØ14	50.0	36.0	7.0	6.0
DN25	1"	25.0	160.0	136.0	90.5	9.0	115.0	85.0	68.0	18.0	2.0	4xØ14	50.0	36.0	7.0	6.0
DN32	1-1/4"	32.0	180.0	185.0	98.7	9.0	140.0	100.0	78.0	18.0	2.0	4xØ18	50.0	36.0	7.0	6.0
DN40	1-1/2"	36.0	200.0	198.0	115.3	14.0	150.0	110.0	88.0	18.0	3.0	4xØ18	70.0	50.0	9.0	7.0
DN50	2"	50.0	230.0	198.0	124.0	14.0	165.0	125.0	102.0	20.0	3.0	4xØ18	70.0	50.0	9.0	7.0
DN65	2-1/2"	65.0	290.0	267.0	155.0	17.0	185.0	145.0	122.0	22.0	3.0	8xØ18	102.0	70.0	11.0	9.0
DN80	3"	80.0	310.0	267.0	208.5	17.0	200.0	160.0	138.0	24.0	3.0	8xØ18	102.0	70.0	11.0	9.0
DN100	4"	100.0	350.0	322.0	216.7	17.0	235.0	190.0	162.0	27.0	3.0	8xØ22	102.0	70.0	11.0	9.0