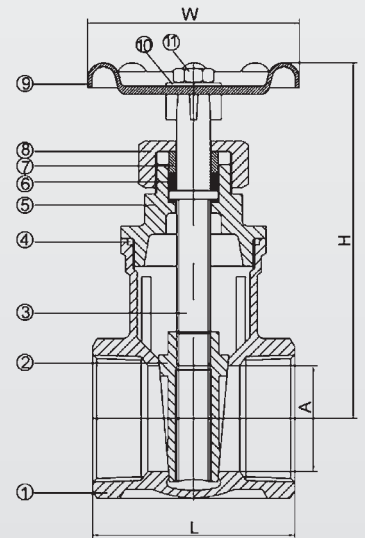


Art.-Nr. 354

Muffenschieber
gate valve
PN 16 Bar

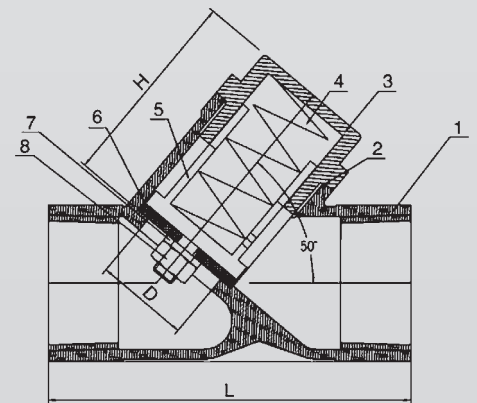


| Nr. | Teil | Material |
|-----|--------------------------------|---------------------------|
| 1 | Gehäuse außen / body | Edelstahl stainless steel |
| 2 | Scheibe / disc | Edelstahl stainless steel |
| 3 | Spindel / stem | Edelstahl stainless steel |
| 4 | Gehäusedichtung / joint gasket | Teflon PTFE |
| 5 | Steuerungsring /snap washer | Teflon PTFE |
| 6 | Spindeldichtung / stem packing | Edelstahl stainless steel |
| 7 | hohe Scheibe / high washer | Teflon PTFE |
| 8 | Stopfbuchse / packing nut | Teflon PTFE |
| 9 | Handrad / hand wheel | Edelstahl stainless steel |
| 10 | Platte / plate | Edelstahl stainless steel |
| 11 | Radmutter / wheel nut | Edelstahl stainless steel |

| Dimension | A | H | L | W |
|-----------|----|-------|------|-----|
| inch | mm | mm | mm | mm |
| 1/2" | 15 | 92 | 55 | 70 |
| 3/4" | 20 | 97 | 60 | 70 |
| 1" | 25 | 108,5 | 65 | 80 |
| 1 1/4" | 32 | 123,5 | 76,5 | 80 |
| 1 1/2" | 40 | 146 | 85 | 90 |
| 2" | 50 | 162 | 95 | 100 |
| 2 1/2" | 65 | 260 | 116 | 100 |
| 3" | 80 | 295 | 131 | 120 |

Art.-Nr. 355

Rückschlagventil
piston check valve
PN 40 Bar



| Nr. | Teil | Material |
|-----|---------------------------------|---------------------------|
| 1 | Gehäuse außen / body | Edelstahl stainless steel |
| 2 | Gehäusedichtung / joint gasket | Teflon PTFE |
| 3 | Haube / cap | Edelstahl stainless steel |
| 4 | Feder / spring | Edelstahl stainless steel |
| 5 | Scheibe / disc | Edelstahl stainless steel |
| 6 | Dichtung / seal | Teflon PTFE |
| 7 | Unterlegscheibe / spring washer | Edelstahl stainless steel |
| 8 | Mutter / nut | Edelstahl stainless steel |

| Dimension | D | L | H |
|-----------|------|------|------|
| inch | mm | mm | mm |
| 3/8" | 12,5 | 65,5 | 31 |
| 1/2" | 12,5 | 65,5 | 31 |
| 3/4" | 18 | 75,5 | 40 |
| 1" | 23,5 | 90,5 | 50 |
| 1 1/4" | 31,4 | 111 | 55 |
| 1 1/2" | 35,7 | 121 | 70,5 |
| 2" | 45,5 | 151 | 87 |