

Bestellschlüssel
Smart Mini Box

Die Smart Mini Box ist mit vielen verschiedenen Endschalter und Funktionen verfügbar.

Code system
Smart Mini Box

The Smart Mini Box can be equipped with a lot of different switches and functions.

Codici articoli
Smart Mini Box

Lo Smart Mini Box può essere equipaggiato con tanti finecorsa e funzioni diversi.

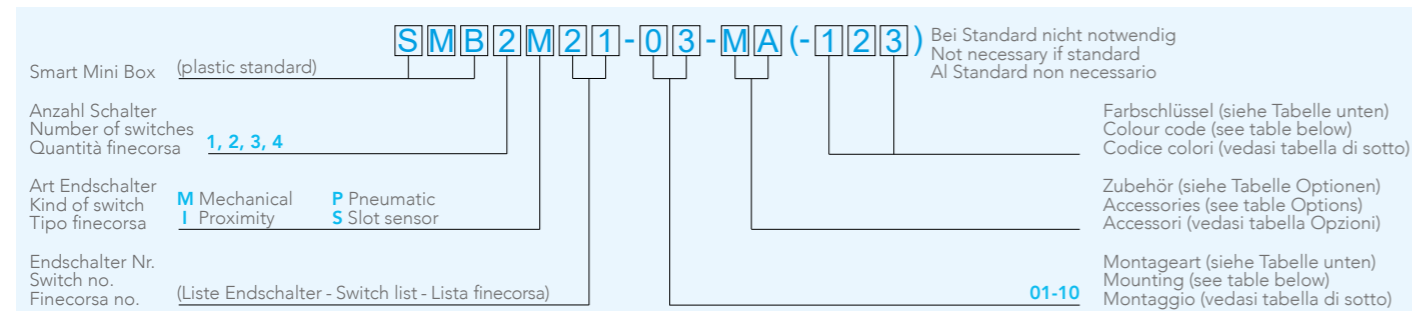


-SMB-2D
Polykarbonat, 2D Flachdeckel
Polycarbonate, 2D flat cover
Policarbonato, coperchio piatto 2D

-SMB-3D
Polykarbonat, 3D Kuppeldeckel
Polycarbonate, 3D dome cover
Policarbonato, coperchio 3D a cupola

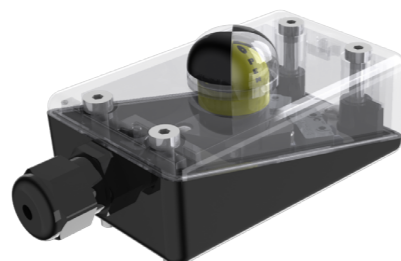
-SMB-2D
Vestamid, 2D Flachdeckel
Vestamide, 2D flat cover
Vestamide, coperchio piatto 2D

-SMB-3D
Vestamid, 3D Kuppeldeckel
Vestamide, 3D dome cover
Vestamide, coperchio 3D a cupola



Montageart - Mounting - Montaggio	Bohrbild - Holespacing - Foratura	Wellenhöhe - Stem height - Altezza perno
	Antrieb - Actuator - Attuatore	Antrieb - Actuator - Attuatore
00 Platte - Plate - Piastrina	80 x 30	30
01 Platte - Plate - Piastrina (+Adapter)	50 x 25	20
02 Platte - Plate - Piastrina	50 x 25	30
03 Brücke - Bracket	80 x 30	20
04 Brücke - Bracket	80 x 30	30
05 Brücke - Bracket	80 x 30	40
06 Brücke - Bracket	80 x 30	50
07 Brücke - Bracket	130 x 30	20
08 Brücke - Bracket	130 x 30	30
09 Brücke - Bracket	130 x 30	40
10 Brücke - Bracket	130 x 30	50

FARBSCHLÜSSEL - COLOUR CODE - CODICE COLORI		
Boden - Bottom - Corpo	Deckel - Cover - Coperchio	Anzeige - Indicator - Indicatore
01 Schwarz - Black - Nero	01 Schwarz - Black - Nero	01 Schwarz - Black - Nero
02 Klarsicht - Clear - Chiaro	02 Klarsicht - Clear - Chiaro	02 Klarsicht - Clear - Chiaro
03 Gelb - Yellow - Giallo		03 Gelb - Yellow - Giallo
04 Grau - Grey - Grigio		04 Grau - Grey - Grigio
05 Blau - Blue - Blu		05 Blau - Blue - Blu
06 Rot - Red - Rosso		06 Rot - Red - Rosso
07 Weiß - White - Bianco		07 Weiß - White - Bianco
08 Grün - Green - Verde		08 Grün - Green - Verde
09 Orange - Orange - Arancio		09 Orange - Orange - Arancio



Preisliste
Auswahl an Endschalter

Price list
Choice of switches

Lista prezzi
Scelta di finecorsa

Endschalter Nr. / Switch No. / Finecorsa no.	Hersteller / Producer / Produttore	Typ / Type / Tipo	Anz. Leiter / No. wires / No. fili	Funktion / Function / Funzione	Spannung / Tension / Tensione	Temperatur / Temperature / Temperatura	Zulassungen / Approvals / Ammissioni	Artikel-Nr. / Item number / Codice art.
-11	CROUZET 831704 silver contacts	Mechanisch / Mechanical / Meccanico	3	NC / NO	24 - 240 V	-25 ... +125°C	NF-UL-cUL	SMB2M11-3D
-12	CROUZET 831709 gold contacts	Mechanisch / Mechanical / Meccanico	3	NC / NO	24 - 240 V	-25 ... +125°C	ATEX 3D	SMB2M12-3D
-14	CROUZET 83181 gold contacts	Mechanisch / Mechanical / Meccanico	3	NC / NO	24 - 240 V	-40 ... +125°C	ATEX 3D UL-cUL (on request)	SMB2M14-3D
-102	ZIPPY SM1 silver contacts	Mechanisch / Mechanical / Meccanico	3	NC / NO	6A 125/250VAC 24VDC	-25 ... +85°C	UL-ENEC	SMB2M102-3D
-31	IFM IS5001 = IS5075	Induktiv / Inductive / Induttivo	3	PNP NO	10 - 36V DC	-25 ... +80°C	cULus	SMB2I31-3D
-39	IFM IS5002	Induktiv / Inductive / Induttivo	2	PNP NO	10 - 36V DC	-25 ... +80°C	cULus	SMB2I39-3D
-32	IFM IS5026 = IS5076	Induktiv / Inductive / Induttivo	2	PNP / NPN NC / NO programmable	5 - 36 V DC	-25 ... +80°C	cULus	SMB2I32-3D
-33	IFM NS5002	Induktiv / Inductive / Induttivo	2	NAMUR NC	8.2V DC (EX) 7.5 - 30V DC (nEX)	-20 ... +70°C	cCSAus FM IECEX ATEX 2GD/1D	SMB2I33-3D-IA
-324	IFM N7S21A	Schlitzinitiator / Slot sensor / A fessura	2	NAMUR NC	8.2V DC (EX) 5 - 25V DC (nEX)	-40 ... +100°C	IECEX ATEX 1GD	SMB2S324-3D-IA
-21	P+F NBB2-V3-E2	Induktiv / Inductive / Induttivo	3	PNP NO	10 - 30V DC	-25 ... +70°C	cULus cCSAus CCC (<=36V)	SMB2I21-3D
-27	P+F NBB2-V3-E0	Induktiv / Inductive / Induttivo	3	NPN NO	10 - 30V DC	-25 ... +70°C	cULus cCSAus CCC (<=36V)	SMB2I27-3D
-251	P+F NBB2-V3-E2-3G-3D	Induktiv / Inductive / Induttivo	3	PNP NO	10 - 30V DC	-25 ... +70°C	ATEX 3GD cULus-cCSAus (<=36V)	SMB2I251-3D
-285	P+F NBB2-V3-E3	Induktiv / Inductive / Induttivo	3	PNP NC	10 - 30V DC	-25 ... +70°C	cULus cCSAus CCC (<=36V)	SMB2I285-3D
-241	P+F NBB2-V3-E3-3G-3D	Induktiv / Inductive / Induttivo	3	PNP NC	10 - 30V DC	-25 ... +70°C	ATEX 3GD cULus-cCSAus (<=36V)	SMB2I241-3D
-28	P+F NBB3-V3-Z4	Induktiv / Inductive / Induttivo	2	NO	5 - 60V DC	-25 ... +70°C	cULus cCSAus CCC	SMB2I28-3D
-22	P+F NCB2-V3-N0	Induktiv / Inductive / Induttivo	2	NAMUR NC	8.0V DC	-25 ... +100°C	ATEX 1GD cULus-cCSAus (<=36V)	SMB2I22-3D-IA
-221	P+F SB3,5-E2	Schlitzinitiator / Slot sensor / A fessura	3	PNP NO	10 - 30V DC	-25 ... +70°C	cULus cCSAus CCC (<=36V)	SMB2S221-3D
-24	P+F SC3,5-G-N0	Schlitzinitiator / Slot sensor / A fessura	2	NAMUR NC	8.2V DC (EX) 5 - 25V DC (nEX)	-25 ... +100°C	ATEX 1GD cULus-cCSAus (<=36V)	SMB2S24-3D-IA
-236	P+F SJ3,5-SN	Schlitzinitiator / Slot sensor / A fessura	2	NAMUR NC	8.0V DC	-50 ... +100°C	ATEX 1GD cULus-cCSAus (<=36V)	SMB2S236-3D-IA

ACG Automation Center Germany GmbH & Co. KG
ifm Straße 14
DE-88069 Tettnang/Bechlingen - Germany

Fon: +49 7542 93820 Fax: +49 7542 938210 info@acg.world www.acg.world

