

CAST IRON SIGHT GLASS C164

MAIN CHARACTERISTICS

The C 164 sight glass is dedicated to the visual control of flow in pipes. Built cast iron, the C 164 is mainly used for low and medium pressure applications. The C 164 has a double windows construction and is fitted with baffles allowing turbulences that improve the visibility of the flow.

AVAILABLE MODELS

Sizes DN15 to DN250

Flanged RF PN16 connections



CLASSIFICATION ACCORDING TO PED 97/23

Category II : homologation CE 1115

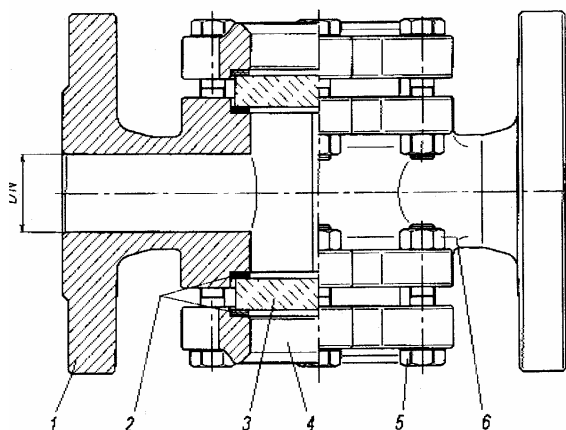
LIMITS OF USE

PS : 16 bar

TS : +5°C / +180°C

CONSTRUCTION

Item	Description	Material
1	Body	Cast iron EN-JGL 250
2	Glass gasket	Fiber
3	Glass	Tempered glass
4	Cover	Cast iron EN-JGL 250
5	Screws	Carbon steel
6	Nuts	Carbon steel



Modifications reserved

CAST IRON SIGHT GLASS C164

DIMENSIONS (mm)

DN	15	20	25	32	40	50	65	80	100	125	150	200	250
B	14	14	14	18	18	18	18	18	18	18	22	22	25
A	65	75	85	100	110	125	145	160	180	210	240	295	355
H	105	106	110	132	140	150	190	210	245	315	340	415	450
F	95	105	115	140	150	165	185	200	220	250	285	340	405
L	130	150	160	180	200	230	290	310	350	400	480	600	730

INSTALLING AND MAINTAINING

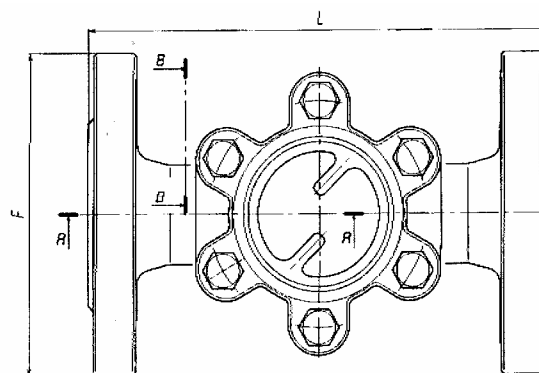
- Before installation or maintaining, shut off the line using upstream and downstream valves.
- Remove the pressure inside and drain the pipe.
- If the pipe is warm, wait the complete cooling to room temperature.
- Wear protections equipments adapted to this kind of operation (gloves and glasses).

Installing

- Decide the position of the sight glass on the line in order to make it visible for the operators.
- Install the appropriate flanges gaskets.
- Install the sight glass by screwing the flanges on the pipes ends.

Maintaining

- Remove the cover and remove the glass.
- Clean the inner parts of the body.
- Verify the state of the glass and check any starting of chemical corrosion or mechanical erosion. Replace it if necessary.



SPARE PARTS

Set including 1 glass and 2 gaskets

DN	Ø of the glass (mm)	Thickness (mm)	Reference
15 – 25	59,8	9,8	981018
32 – 40	65,4	11,9	981019
50	80	14,8	981020
65 – 80	109,5	18,7	981021
100			981022

Modifications reserved