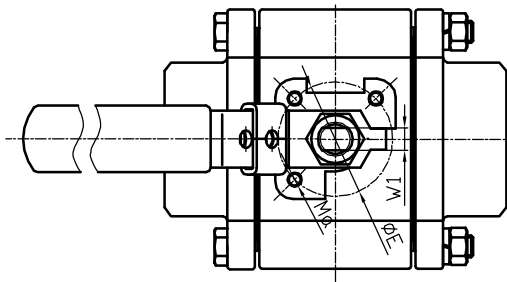


**FULL PORT THREE-PIECE
BALL VALVE BUTT WELD END
2000W.O.G.**

TC137F S45C/ A216Gr-WCB/DIN1.0619
TC139F SUS304 A351Gr-CF8M/DIN1.4408

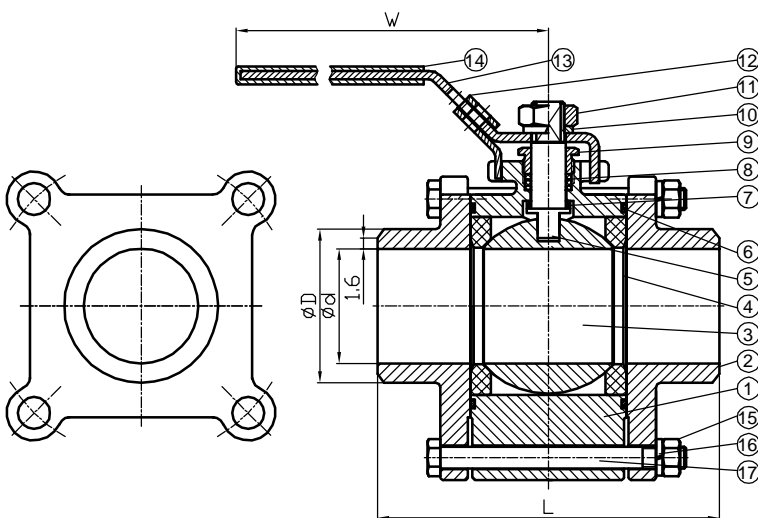
FEATURES:

- BUTT WELD END CAP : ISO 1127, DIN 2463, ANSI B36.19
- BLOW-OUT PROOF STEM / FULL PORT
- WITH ISO 5211 MOUNTING PAD
- INVESTMENT CASTING BODY
- LOCKING DEVICE



MATERIALS LIST:

NO.	PART NAME	MATERIAL	
		WCB	CF8M
1	BODY	WCB	CF8M
2	CAP	WCB	CF8M
3	BALL	CF8M	
4	SEAT	RPTFE	
5	STEM	SUS304	
6	GASKET	PTFE	
7	THRUST WASHER	PTFE	
8	PACKING	PTFE	
9	GLAND	SUS304	
10	SPRING WASHER	SUS304	
11	STEM NUT	SUS304	
12	LOCKING DEVICE	SUS304	
13	HANDLE	SUS304	
14	PLASTIC COVER	PLASTIC	
15	HEX NUT	SUS304	
16	BOLT WASHER	SUS304	
17	JOINT BOLT	SUS304	



DIMENSIONS:

SIZE		d	D	L	W	W1	ISO 5221	E	Ma
DN	NPS								
8	1/4"	10	17.2	66	102	5.0	F03	36	M5
10	3/8"	12.5	17.2	66	102	5.0	F03	36	M5
15	1/2"	16	21.3	72	123	6.5	F03	36	M5
20	3/4"	20	26.9	94.5	123	6.5	F03	36	M5
25	1"	25	33.7	107	153	8.0	F04	42	M5
32	1 1/4"	33.8	42.4	116	153	8.0	F04	42	M5
40	1 1/2"	39.5	48.3	127	183	9.5	F05	50	M6
50	2"	50.8	60.3	149	183	9.5	F05	50	M6