



Szalai és Társa Kft.
1992

V1-40BSP-304/316



BALL VALVE



APPLICATION :

Chemical, hydraulic installation, pressurized air, industry, etc.

GENERAL CHARACTERISTICS :

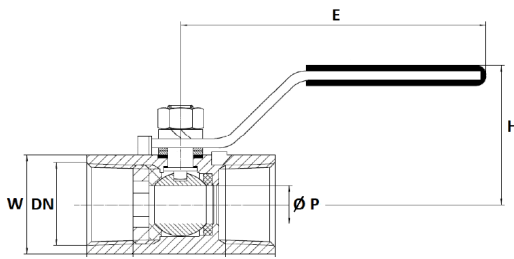
Reduced Bore.
Anti blow-out stem.
PTFE packing.
PTFE seat.
Solid ball.
1 piece type.
Stainless Steel Lever.

STANDARDS :

Manufacture according to ISO 9001 : 2008.
Directive 2014/68/EU
Pressure Tests according to EN 12266-1, rate A.
Threaded BSP cylindrical ends according to ISO 228-1.
Certificate 3.1 on request.

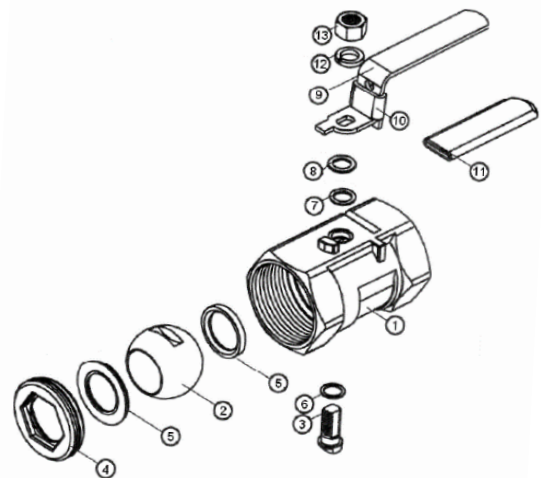
WORKING CONDITIONS :

Maximum Working Pressure : 40 bar.
Maximum Working Temperature : -20 °C / +180 °C.



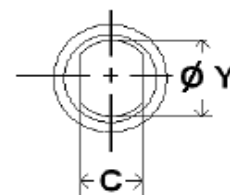
MATERIALS:

No.	Part	Material
1	Body	S Steel CF8M
2	Ball	S Steel 316
3	Stem	S Steel 316
4	Nut	S Steel 316
5	Seat	PTFE
6	Packing	PTFE
7	Thrust washer	PTFE
8	Gland	S Steel 304
9	Handle	S Steel 304
10	Locking device	S Steel 304
11	Handle cover	Plastic
12	Handle washer	S Steel 304
13	Handle nut	S Steel 304



DIMENSIONS :

DN	P	L	E	H	W	C	Y	Weight
1/4"	5	39	65	32	17	3	4,6	0,06
3/8"	6,8	44	65	35	21	4	6	0,1
1/2"	9	56,5	96	45	25	5	7	0,19
3/4"	12,5	58,5	96	48	32	5	7	0,26
1"	16	71	101	56	38	6	9	0,41
1 1/4"	20	78	101	61	48	6	9	0,62
1 1/2"	25	83	135	70	53	8	11,5	0,84
2"	32	100	135	76	66	8	11,5	1,33



fax: (1) 260 2607
tel: (1) 433 3914

warehouse: 2360 Gyál, Bánki Donát utca 28.
office: 1108 Budapest, Venyige utca 3.

e-mail: szalaikft@szalaikft.hu
web: www.szalaikft.hu