

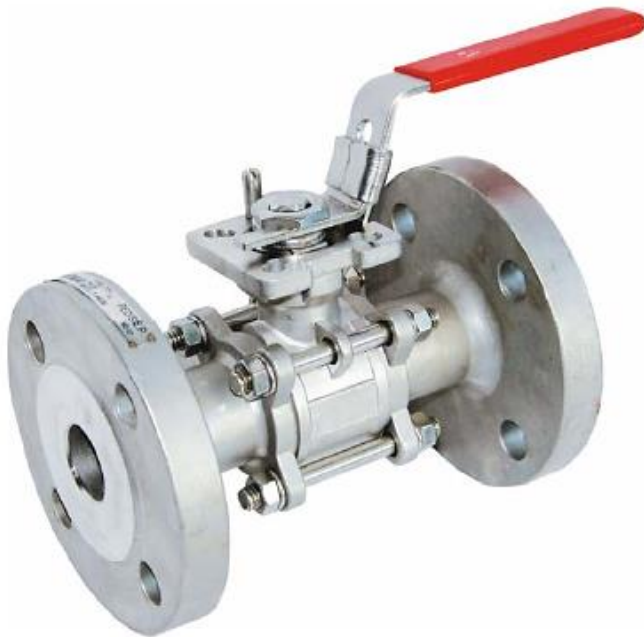


Szalai és Társa Kft.  
1992

# VDM3-16/40F1-316/304



## BALL VALVE



### APPLICATION :

Chemical, pharmaceutical and petrochemical industries.  
Hydraulic installations. Compressed air.

### GENERAL CHARACTERISTICS :

Full Bore.  
Anti blow-out stem.  
ISO 5211 Mounting pad.  
3-pcs body type.  
PTFE filled with stainless steel seat.

### STANDARDS :

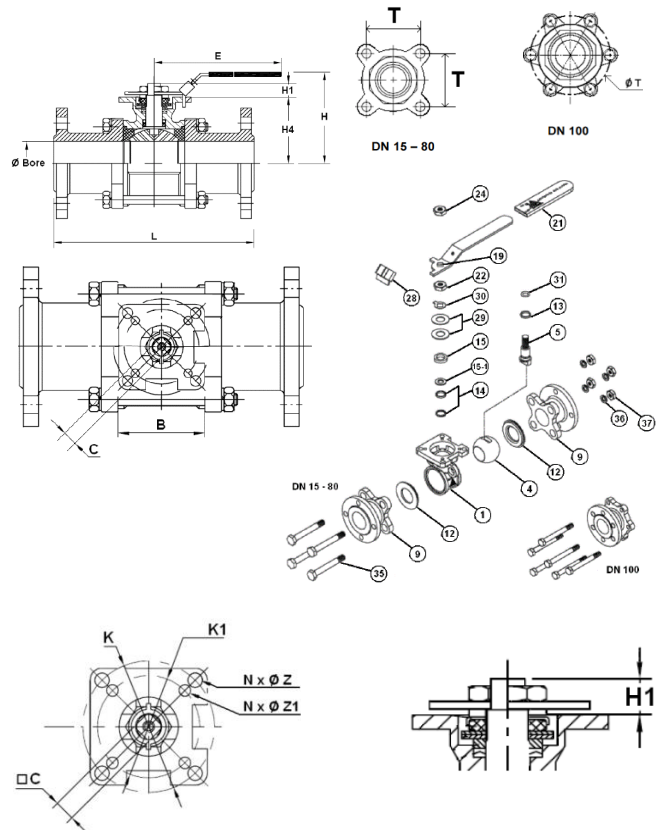
Design according to EN 12516.  
Directive 2014/68/EU  
Pressure Tests according to EN 12266-1 rate A.  
RF Flanged ends according to EN 1092-1 PN40.

### WORKING CONDITIONS :

Maximum Working Pressure : 40 bar.  
Maximum Working Temperature : - 30 °C / + 180 °C.

### MATERIALS:

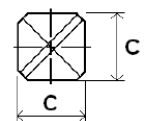
No.	Part	Material	
		316	304
1	Body	S Steel A351 CF8M	S Steel A351 CF8
4	Ball	S Steel A351 CF8M	S Steel A351 CF8
5	Stem	S Steel 316	S Steel 304
9	Ends	S Steel A351 CF8M	S Steel A351 CF8
12	Seat	PTFE + 50% SS 316	
13	Thrust washer	PTFE + 25% Grafoil	
14	Stem packing	PTFE + 25% Grafoil	
15-1	Packing follower	PTFE + 25% Grafoil	
15	Gland bush	S Steel 304	
19	Handle	S Steel 304	
21	Handle cover	Plastic	
22	Stem nut	S Steel 304	
24	Handle nut	S Steel 304	
28	Locking device	S Steel 304	
29	Elastic washer	S Steel 301	
30	Tab washer	S Steel 304	
31	O ring	FKM	
35	Body bolt	S Steel 304	
36	Bolt washer	S Steel 304	
37	Bolt nut	S Steel 304	



### DIMENSIONS :

DN	L	B	E	H	H4	H1	T	C	ØK	NxØZ	ISO 5211	Par (Nm)	Weight
15	130	23	112	73	37	8,5	31	9	50	4 X 7	F05	7,6	2,04
20	150	28	112	80,8	45	8,5	35	9	50	4 X 7	F05	14,5	2,9
25	160	34	136	90,5	53,5	11,4	41	9	50	4 X 7	F05	21	3,66
32	180	43	185	98,7	59	11,4	49	9	50	4 X 7	F05	25	5,4
40	200	52	198	115	74,8	14	59	14	70	4 X 9	F07	35	6,76
50	230	64	198	124	83,5	13,7	71	14	70	4 X 9	F07	60	9,75
65	290	86	264	155	109	18	91	17	102	4 X 11	F10	80	15,36
80	310	102	264	209	118	18	107	17	102	4 X 11	F10	88	21,33
100	350	129	325	217	154	23	195	17	102	4 X 11	F10	190	36,7

Stem size :



fax: (1) 260 2607  
tel: (1) 433 3914

warehouse: 2360 Gyál, Bánki Donát utca 28.  
office: 1108 Budapest, Venyige utca 3.

e-mail: [szalaikft@szalaikft.hu](mailto:szalaikft@szalaikft.hu)  
web: [www.szalaikft.hu](http://www.szalaikft.hu)