



Szalai és Társa Kft.
1992

N16BSP-316



SIGHT GLASS



APPLICATION :

Water, non corrosive fluids, oil, nafta, industry, etc.

GENERAL CHARACTERISTICS :

Range: DN 1/2" to DN 2".

Borosilicate.

Gasket: PTFE

STANDARDS :

Manufacture according to ISO 9001 : 2008.

Directive 97/23/EC

Standards: EN12516-1.

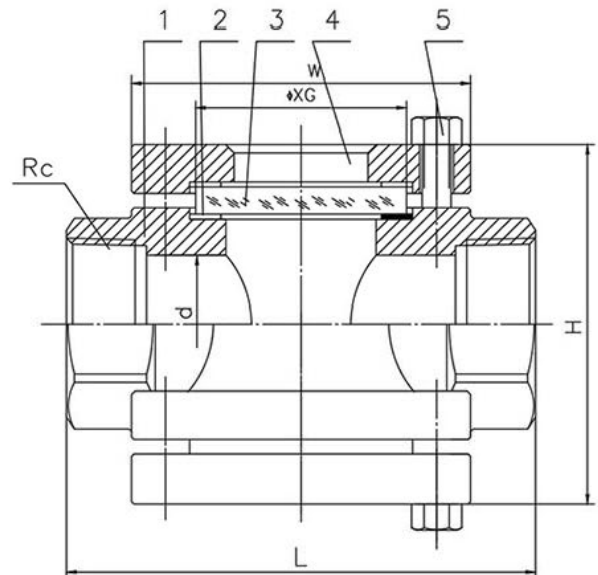
WORKING CONDITIONS :

Maximum Working Pressure : 16 bar.

Maximum Working Temperature : -10 °C / +180 °C.

MATERIALS:

No.	Part	Material
1	Body	S Steel CF8M
2	Gasket	PTFE
3	Glass	Borosilicate
4	Caps	S Steel CF8M
5	Bolt	S Steel 304



DIMENSIONS :

DN	BSP	d	L	W	XG	H
15	1/2"	15	100	60X60	45X10	60
20	3/4"	20	100	60X60	45X10	70
25	1"	25	115	71X71	55X10	80
32	1 1/4"	32	130	80X80	65X12	90
40	1 1/2"	40	140	85X85	75X12	100
50	2"	50	155	100X100	85X12	110