



Szalai és Társa Kft.
1992

P1L16/10-S-PTFE-K-GSC



BUTTERFLY VALVE



APPLICATION :

Water, HVAC installations, pressurized air, industry, etc.

GENERAL CHARACTERISTICS :

Concentric Disc Valves.
Range from ND40 up to ND300 .
Tightness in both ways.
Threaded ears.
One-piece shaft. Avoid breakage due to water hammer.
Cartridge Seat for easy replacement.
Reduced dimensions and weights.
Does not need joints for installation.
Low load loss.
Top Flange according to ISO 5211.
10 position lever.

STANDARDS :

Design : BS EN 593.
Face to Face : EN 558-1 Serie 20, ISO 5272 Serie 20, DIN 3202.
Mounting between flanges : PN10 / PN16 EN 1092-2
Pressure Test : EN 12266-1, DIN 3230, BS6755 and ISO 5208:
Body : 15 bar. Seat : 11 bar.
Directive 2014/68/EU

WORKING CONDITIONS :

Maximum Working Pressure : 10 bar.
Maximum Working Temperature : -20 °C / +180 °C.

MATERIALS:

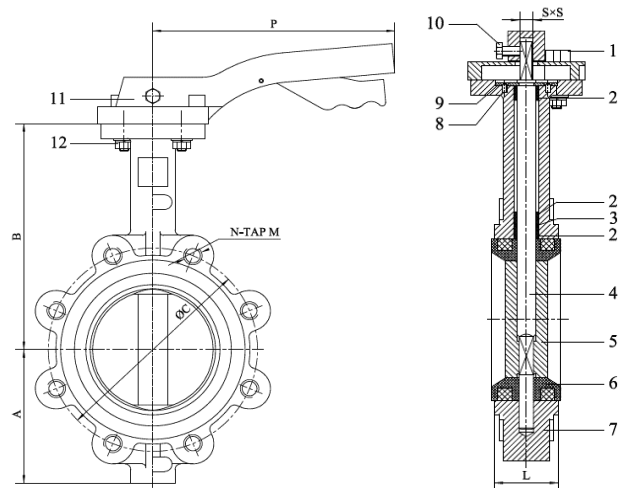
No.	Part	Material	Options
1	Locking Plate	Aluminium	
2	Bushing	PTFE	
3	O-Ring	NBR	EPDM
4	Stem	SS 420	
5	Disc**	SS 316	
6	Seat***	PTFE	NBR
7	Body*	WCB (GS-C25)	
8	Screws	SS 304	
9	Thrust Washer	Carbon Steel	
10	Screw	SS 304	
11	Lever	Aluminium****	
12	Bolt & Nut	SS 304	

(*) Available in SS CF8M & C.Steel A216 WCB.

(**) Available in SS 316L & Alu-Bronze.

(***) Available in FKM & PTFE.

(****) Malleable Cast Iron for ND250&300 .



DIMENSIONS :

DN	A	B	L	TAP M	P	C	SxS	Torque	ISO 5211	Weight
40	70	145	33	4xM16	198	110	9x9	12	F05	2,5
50	76	162	42	4xM16	198	125	9x9	19	F05	4
65	89	174	45	4xM16	198	145	9x9	25	F05	3,8
80	95	181	45	8xM16	198	160	9x9	30	F05	5,8
100	114	200	52	8xM16	270	180	11x11	45	F07	7,2
125	127	213	54	8xM16	270	210	14x14	60	F07	9,8
150	139	225	56	8xM20	270	240	14x14	95	F07	11,8
200	177	260	60	12xM20	270	295	17x17	200	F07	19
250	203	292	66	12xM24	500	355	22x22	250	F10	29
300	241	337	77	12xM24	500	410	22x22	400	F10	37

fax: (1) 260 2607
tel: (1) 433 3914

warehouse: 2360 Gyál, Bánki Donát utca 28.
office: 1108 Budapest, Venyige utca 3.

e-mail: szalaikft@szalaikft.hu
web: www.szalaikft.hu



Szalai és Társa Kft.
1992

P1L16/10-S-PTFE-K-GSC



BUTTERFLYVALVE

DIMENSIONS :

DN	A	B	D	TAP M	C	E	F	G	L	Weight
40	70	145	138	4xM16	110	27	144	48	33	7
50	76	162	138	4xM16	125	27	144	48	42	7,5
65	89	174	138	4xM16	145	27	144	48	45	9
80	95	181	138	8xM16	160	27	144	48	45	12
100	114	200	138	8xM16	180	27	144	48	52	13
125	127	213	138	8xM16	210	27	144	48	54	15
150	139	225	138	8xM20	240	27	144	48	56	16
200	177	260	278	12xM20	295	39	208	66	60	27
250	203	292	278	12xM24	355	39	208	66	66	37
300	242	337	278	12xM24	410	37	225	80	77	47

GEAR BOX:

Manufacture according to: ISO 9001 : 2015 .

ISO 5211 Mounting pad..

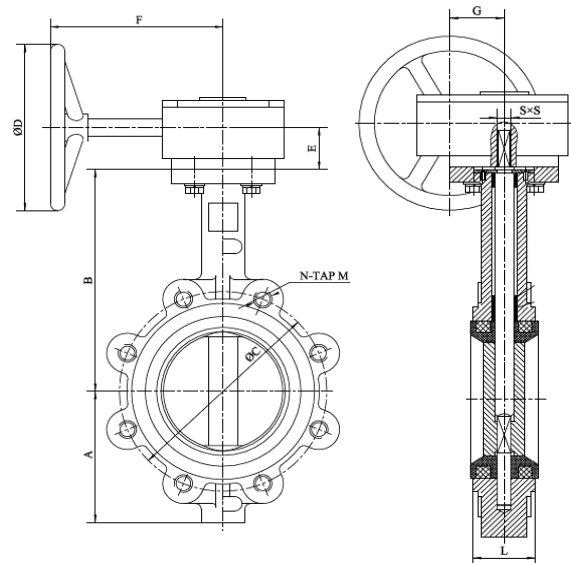
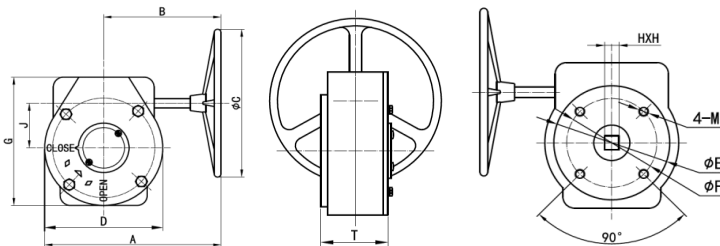
Range from ND40 up to ND300 .

Hardy body made in WCB

Bolts & nuts in SS A2 (304).

Epoxy Paint.

Position indicator in aluminum.



DIMENSIONS :

DN	A	B	C	D	J	G	T	E	F	n-M	HxH	ISO 5211	Ratio	Input Torque	Output Torque	Weight
40	225	172	150	104	45	125	68	65	50	4-M6	9x9	F05	24 : 1	18	170	3,5
50	225	172	150	104	45	125	68	65	50	4-M6	9x9	F05	24 : 1	18	170	3,5
65	225	172	150	104	45	125	68	65	50	4-M6	9x9	F05	24 : 1	18	170	3,5
80	225	172	150	104	45	125	68	65	50	4-M6	9x9	F05	24 : 1	18	170	3,5
100	225	172	150	104	45	125	68	90	70	4-M8	11x11	F07	24 : 1	18	170	4,2
125	225	172	150	104	45	125	68	90	70	4-M8	14x14	F07	24 : 1	18	170	3,5
150	255	172	150	104	45	125	68	90	70	4-M8	14x14	F07	24 : 1	18	170	3,5
200	300	227	285	145	63	170	72	90	70	4-M8	17x17	F07	30 : 1	58	700	7
250	300	227	285	145	63	170	72	125	102	4-M10	22x22	F10	30 : 1	58	700	7,4
300	300	227	285	155	78	190	75	125	102	4-M10	22x22	F10	50 : 1	60	1200	10

fax: (1) 260 2607
tel: (1) 433 3914

warehouse: 2360 Gyál, Bánki Donát utca 28.
office: 1108 Budapest, Venyige utca 3.

e-mail: szalaikft@szalaikft.hu
web: www.szalaikft.hu