



Szalai és Társa Kft.
1992

P1W16/10-GG-EPDM/K



BUTTERFLY VALVE



APPLICATION :

Water, HVAC installations, pressurized air, industry, etc.

GENERAL CHARACTERISTICS :

Concentric Disc Valves.
Range from ND40 up to ND600 .
Tightness in both ways.
Long neck for heat-insulated installations.
One-piece shaft. Avoid breakage due to water hammer.
Cartridge Seat for easy replacement.
Reduced dimensions and weights.
Does not need joints for installation.
Low load loss.
Top Flange according to ISO 5211.
10 position lever.

STANDARDS :

Design : BS EN 593.
Face to Face : EN 558-1 Serie 20, ISO 5272 Serie 20, DIN 3202.
Mounting between flanges : PN10 / PN16 EN 1092-2, BS450, ANSI B16.1-5
Pressure Test : EN 12266-1, DIN 3230, BS6755 y ISO 5208:
Body : 24 bar. Seat : 17,6 bar.
Directive 2014/68/EU

WORKING CONDITIONS :

Maximum Working Pressure : 16 bar.
Maximum Working Temperature : -10 °C / +120 °C.
Peak Temperature : -15 °C / 130 °C.

MATERIALS:

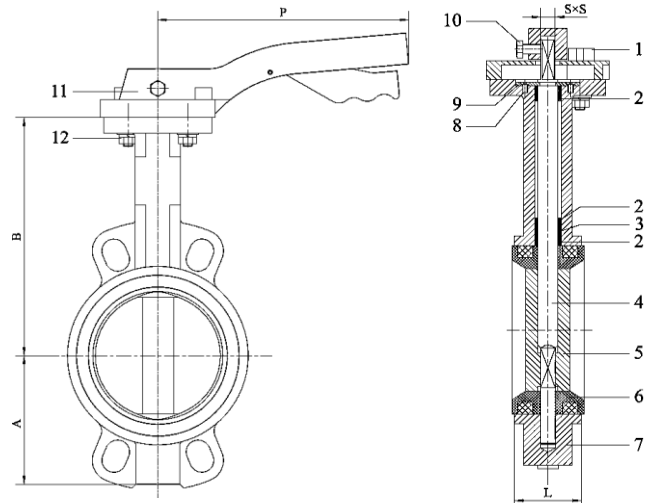
No.	Part	Material	Options
1	Locking Plate	Aluminium	
2	Bushing	PTFE	
3	O-Ring	NBR	EPDM
4	Stem	SS 420	
5	Disc**	D.Iron GJS400	SS 316
6	Seat***	EPDM	NBR
7	Body*	D.Iron GJS400	
8	Screws	SS 304	
9	Thrust Washer	Carbon Steel	
10	Screw	SS 304	
11	Lever	Aluminium****	
12	Bolt & Nut	SS 304	

(*) Available in SS CF8M & C.Steel A216 WCB.

(**) Available in SS 316L & Alu-Bronze.

(***) Available in FKM & PTFE.

(****) Malleable Cast Iron for ND250&300 .



DIMENSIONS :

DN	A	B	L	SxS	P	Torque	ISO 5211	Weight
40	70	145	33	9x9	198	12	F05	2,1
50	72	129	42	9x9	198	19	F05	3
65	75	136	45	9x9	198	25	F05	3,6
80	97	144	45	9x9	198	30	F05	4,15
100	108	162	52	11x11	270	45	F07	5,75
125	123	188	54	14x14	270	60	F07	7
150	142	204	56	14x14	270	95	F07	9
200	169	238	60	17x17	270	200	F07	14,5
250	201,5	282	66	22x22	500	250	F10	20,5
300	241,5	311	77	22x22	500	400	F10	33

fax: (1) 260 2607
tel: (1) 433 3914

warehouse: 2360 Gyál, Bánki Donát utca 28.
office: 1108 Budapest, Venyige utca 3.

e-mail: szalaikft@szalaikft.hu
web: www.szalaikft.hu