



Szalai és Társa Kft.  
1992

## S16/40F1-GSC



### GLOBE VALVE



#### APPLICATION :

Water and common fluids applications, HVAC, Steam.

#### GENERAL CHARACTERISTICS :

Size DN-15 to DN-200  
Rotating rising stem and handwheel .  
Bolted bonnet.  
Conical disc.  
Stainless steel metal-metal seat.  
Respect the flow direction ( indicated by the arrow )  
Painting Blue RAL 5002 15µm

#### STANDARDS :

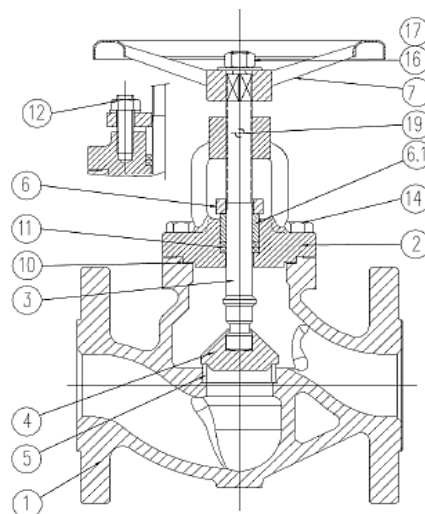
Manufacture according to ISO 9001 : 2008.  
Designing according to DIN 3840.  
Marking according to EN 19.  
Directive 97/23/CE  
Pressure test according to EN 12266-1 range A  
Face to face according to EN 558 series 1 (DIN 3202 F1)  
Bridas R.F. according to EN 1092-1 PN-40

#### WORKING CONDITIONS :

Maximum Working Pressure : 40 bar.  
Maximum Working Temperature : -20 °C / +400 °C.  
Don't use for thermic fluids

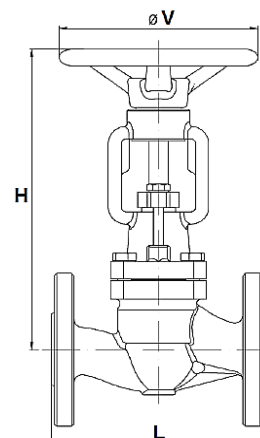
#### MATERIALS:

No.	Part	Material
1	Body	A216 WCB (1.0619)
2	Bonnet	A216 WCB (1.0619)
3	Stem	X12 CrNi S 18 8
4	Disc	AISI 420 (DN15-100) A105+Stellie (DN125-200)
5	Seat	CA6NM (DN15-100) AISI-304 (DN125-200)
6	Gland	EN 10025
6,1	Gland ring	EN 10087
7	Handwheel	EN GJS-400
10	Bonnet gasket	Graphite
11	Packing	Graphite
12	Gland bolt	Steel 5.6
14	Bonnet bolt	Steel C35E
16	Handwheel nut	Steel 5.6
17	Washer	Steel
19	Lubricator	Brass



#### DIMENSIONS :

DN	L	H	ØV	Kvs	Weight
15	130	190	140	4	3,5
20	150	195	140	7	4,3
25	160	220	140	11	6,3
32	180	219	140	19	7,3
40	200	254	180	30	12,5
50	230	265	180	46	15
65	290	328	200	70	22,5
80	310	341	200	115	27,5
100	350	376	250	150	42
125	400	488	330	220	67
150	480	531	330	310	99
200	600	663	400	675	200



fax: (1) 260 2607  
tel: (1) 433 3914

warehouse: 2360 Gyál, Bánki Donát utca 28.  
office: 1108 Budapest, Venyige utca 3.

e-mail: [szalaikft@szalaikft.hu](mailto:szalaikft@szalaikft.hu)  
web: [www.szalaikft.hu](http://www.szalaikft.hu)