



Szalai és Társa Kft.  
1992

**R1W40-316**



CHECK VALVES



**APPLICATION :**

Chemical and pharmaceutical, petrochemical industries, pressurized air, industry, etc.

**GENERAL CHARACTERISTICS :**

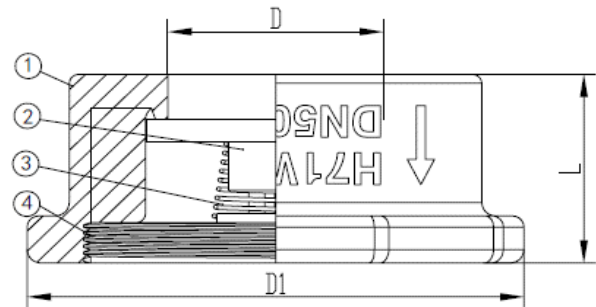
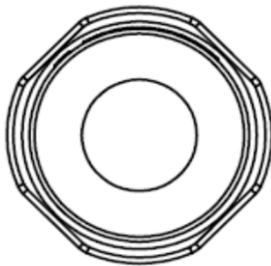
Spring type.  
Connection Wafer PN-10/16/25/40 - ANSI 150/300Lbs.  
Horizontal or Vertical position  
Position indicator arrow.  
Metal-metal seat .

**STANDARDS :**

Manufacture according to : GB/T12236.  
Directive 2014/68/EU  
Pressure Tests according to GB/T13927.  
Product STYLE: H71W-6-40 (P/R)

**WORKING CONDITIONS :**

Maximum Working Pressure : 40 bar.  
Maximum Working Temperature : -20 °C / +180 °C.



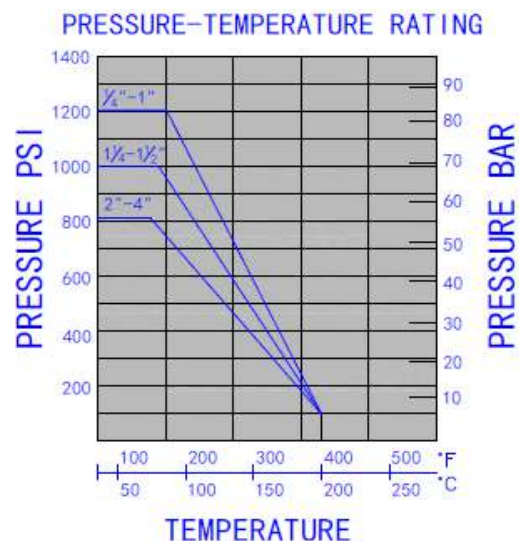
**MATERIALS:**

No.	Part	Material
1	Body	S Steel CF8M
2	Disc	S Steel CF8M
3	Spring	S Steel AISI-304
4	Cap	S Steel CF8M

**DIMENSIONS :**

DN	D	D1	L	Weight
15	14	52	16	0,14
20	19	62	19	0,2
25	24	72	22	0,34
32	30	83	28	0,51
40	38	93	32	0,68
50	46	106	40	0,74
65	62	125	46	1,49
80	78	143	50	2,04
100	96	163	60	2,92
125	118	195	90	4,45
150	142	220	106	6,24
200	175	273	140	11,33

**Pt DIAGRAM:**



fax: (1) 260 2607  
tel: (1) 433 3914

warehouse: 2360 Gyál, Bánki Donát utca 28.  
office: 1108 Budapest, Venyige utca 3.

e-mail: [szalaikft@szalaikft.hu](mailto:szalaikft@szalaikft.hu)  
web: [www.szalaikft.hu](http://www.szalaikft.hu)