

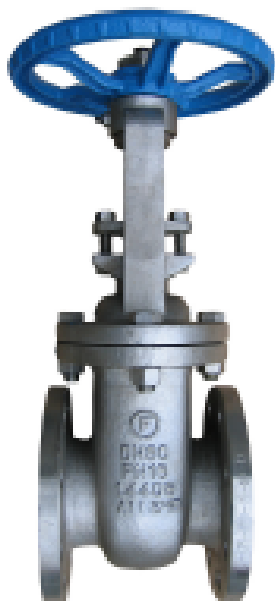


Szalai és Társa Kft.
1992

TZ16F4-GSC



GATE VALVES



APPLICATION :

Chemical and pharmaceutical industries, pressurized air, industries, etc.

GENERAL CHARACTERISTICS :

Size DN40 - DN300.
Rising stem
Fixed non rising handwheel.
Bolted bonnet.
Metal-metal seat TRIM 10.
Flexible one piece wedge.

STANDARDS :

Manufacture according to ISO 9001 : 2015 and ISO 14001: 2015.
Directive 2014/68/EU
Pressure Tests according to DIN 3230
Face to face according to DIN 3202 - F4.
R.F. flanges according to EN 1092-1 PN16.
Design according to DIN 3356

WORKING CONDITIONS :

Maximum Working Pressure : 16 bar.
Maximum Working Temperature : -29 °C / +425°C

MAIN FEATURES:

Design : Flat-body wedge gate valve
PN : PN 16
T max. °C : -29 °C / +425°C
Connection : Flanged end, DIN 2526
Face-to-face length : DIN 3202 F4

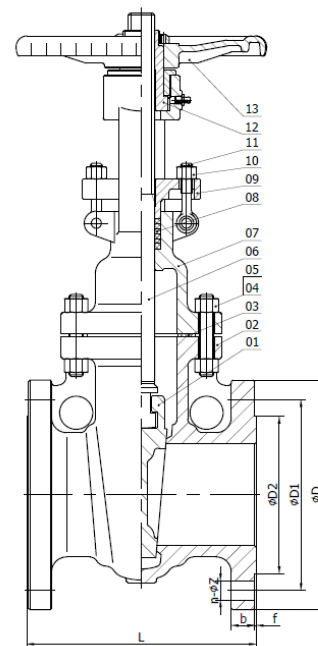
MATERIALS:

No.	Part Name	Material
1	Disc	WCB+13Cr
2	Body	WCB+13Cr
3	Gasket	304+Graphite
4	Blot	B7
5	Nut	2H
6	Stem	F6a
7	Bonnet	WCB
8	Packing	Graphite
9	Gland Flange	WCB
10	Nut	2H
11	Blot	B7
12	Stem nut	Brass
13	Hand Wheel	Ductile Iron

Applicable temperature: WCB -29~425 °C
CF8 -29~450 °C

DIMENSIONS :

DN	L	D	D1	D2	b	n-ØZ	f
40	140	Ø150	Ø110	Ø 88	18	4-Ø 18	3
50	150	Ø165	Ø125	Ø102	18	4-Ø 18	3
65	170	Ø185	Ø145	Ø122	18	8-Ø 18	3
80	180	Ø200	Ø160	Ø138	20	8-Ø18	3
100	190	Ø220	Ø180	Ø158	20	8-Ø18	3
125	200	Ø250	Ø210	Ø188	22	8-Ø18	3
150	210	Ø285	Ø240	Ø212	22	8-Ø22	3
200	230	Ø340	Ø295	Ø268	24	12-Ø22	3
250	250	Ø405	Ø355	Ø320	26	12-Ø26	3
300	270	Ø460	Ø410	Ø378	28	12-Ø26	4



fax: (1) 260 2607
tel: (1) 433 3914

warehouse: 2360 Gyál, Bánki Donát utca 28.
office: 1108 Budapest, Venyige utca 3.

e-mail: szalaikft@szalaikft.hu
web: www.szalaikft.hu