



Szalai és Társa Kft.  
1992

# PFL1W16/10-PTFE-PTFE-K



## BUTTERFLY VALVE



\*the image is for illustration purposes only,  
exact appearance based on the current version on request

### APPLICATION :

Chemical & Pharma industries, corrosive fluids, Industrial applications, etc.

### GENERAL CHARACTERISTICS :

Wafer type Valve design.

Bidirectional close.

100% tightness.

9 positions handle with locking device

ISO 5211 mounting pad.

PTFE sealing ring 4 mm thickness with silicone elastic gasket of 6 mm thickness.

### STANDARDS :

Manufacture according to : BS5155

Face to Face : EN 558-1 Series 20. Mounting between flanges EN1092-2

PN16 / ANSI150 / JIS 10K. Tightness Test according to : API 598 - DIN

3230. JIS B2003.

### WORKING CONDITIONS :

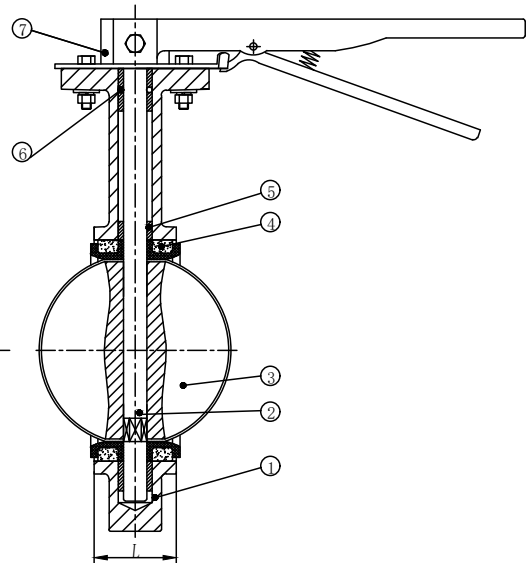
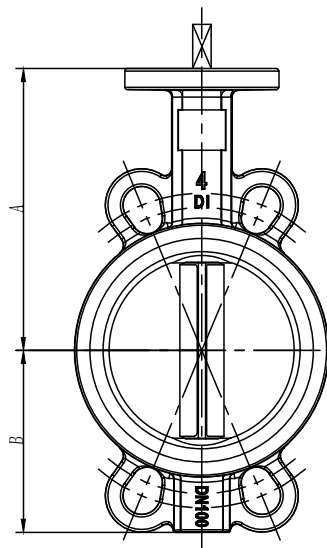
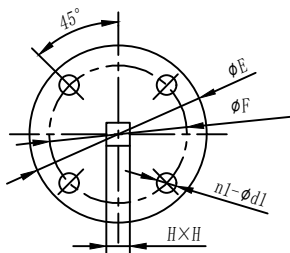
Maximum Working Pressure : 16 Bar.

DN200 - DN350: 10 bar.

Maximum Working Temperature : -15 °C / +150 °C.

### MATERIALS:

7	Lever	Malleable cast iron
6	O ring	EPDM
5	Bushing	Polymer
4	Seat	PTFE
3	Disc	DI+PTFE
2	Bottom shaft	2Cr13
1	Body	DI
No.	Parts	Materials



### DIMENSIONS :

DN	IN	L	A	B	H	ISO5211				PN10	
						Top Flange	ØE	ØF	n1-Ød1	PCD	n-M
040	1-1/2"	43	131,5	71,6	9	F05	65	50	4-8	125	4-19

57476

fax: (1) 260 2607  
tel: (1) 433 3914

warehouse: 2360 Gyál, Bánki Donát utca 28.  
office: 1108 Budapest, Venyige utca 3.

e-mail: [szalaikft@szalaikft.hu](mailto:szalaikft@szalaikft.hu)  
web: [www.szalaikft.hu](http://www.szalaikft.hu)